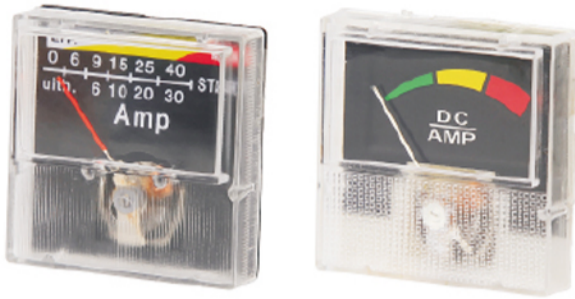
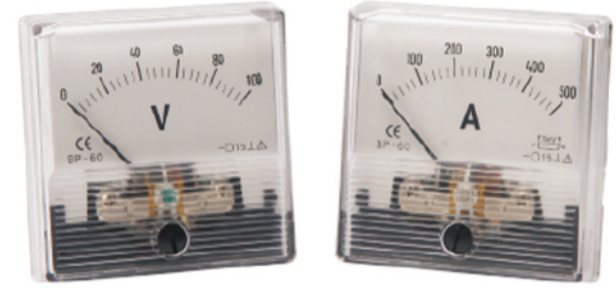


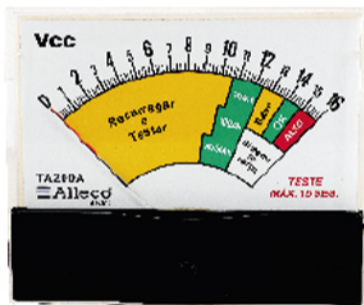
Special Customized Meter Series



Name: Charger Meter
Measuring range: DC 75mV/10A



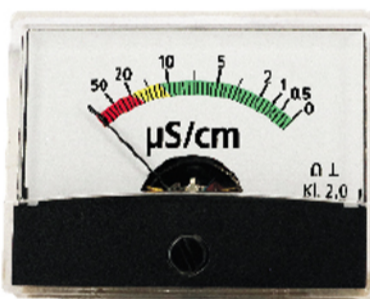
Name: Welding Machine Meter
Measuring range: DC 100V/500A



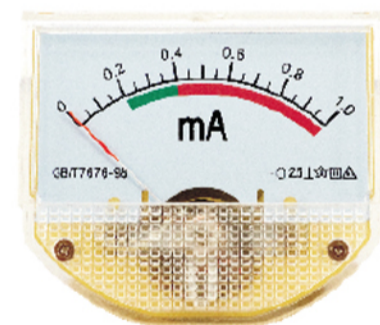
Name: Battery Test Meter



Name: Water Quality Test Meter



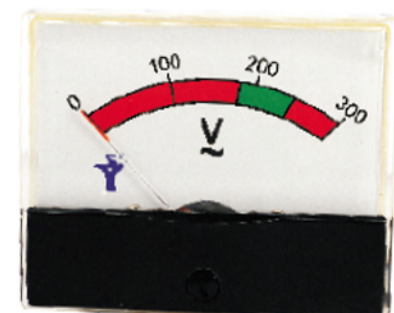
Name: Conductivity Test Meter



Name: Others Customized Meters



Name: Others Customized Meters



Name: Others Customized Meters

Multifunctional Power Quality Analysis Meter

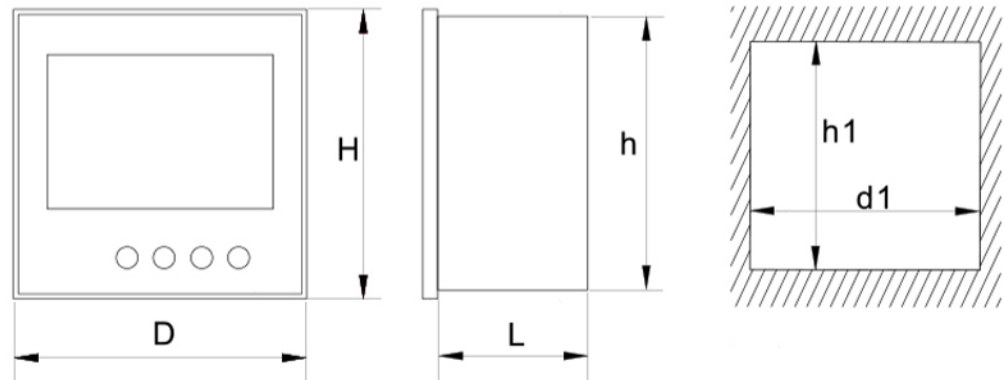
HP292 MX



HP292MX

Class	0.2 / 0.2s
Summary	Enhanced meter with recording device and IPS colorful screen and DUAL Rs485
Key Type	Touch type 4 keys
Function	Aux Supply: Self Powered
	Basic Parameter: V / A / Hz W / var / VA COSΦ kWh / kvarh
	Power Quality: THD / TOHD / TEHD HRU / HRI THF / KF / CF Inter-Harmonics Unbalance factor Voltage Swell / Sag Power cut Fluctuation and flicker V / F deviation
	Multi-tariff Metering: 4 rates for 12 periods
	DUAL Energy Metering: Supported
	Fault Record: 6600 Events Records
	Communication: RS485 (115.2kbps MAX) Ethernet (Optional)

Contour and installation size



Unit: mm

Front Size		Enclosure Size			Mounting hole Size	
Width (D)	Height (H)	Width (D)	Height (H)	Depth (L)	Width (D)	Height (H)
96	96	90	90	90	92	92

Note: The function description only lists some important functions, not all the functions of the meter. For more details, please refer to the user's manual or contact us.

Multifunctional Power Quality Analysis Meter

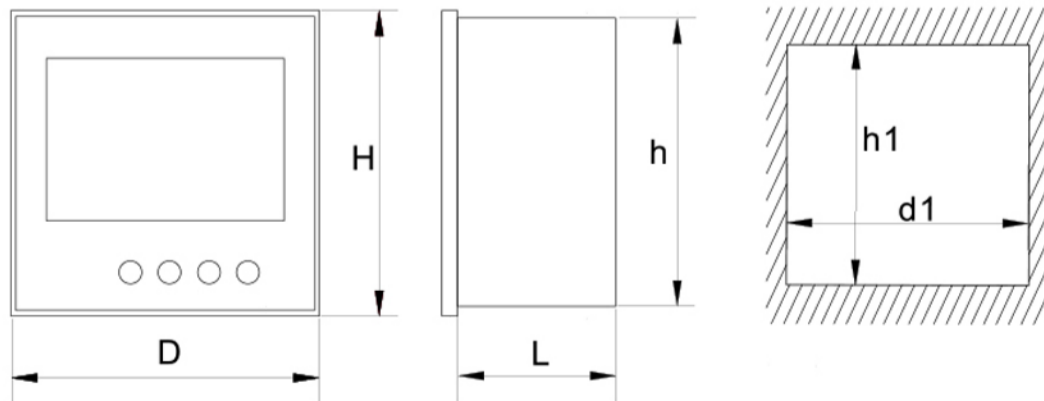
HP292 ME



HP292ME

Class	0.2 / 0.2s
Summary	Enhanced meter with recording device and IPS colorful screen
Key Type	Touch type 4 keys
Function	Aux Supply: Self Powered
	Basic Parameter: V / A / Hz W / var / VA COS Φ kWh / kvarh
	Power Quality: THD / TOHD / TEHD HRU / HRI THF / KF / CF Unbalance factor Voltage Swell / Sag Power cut
	Multi-tariff Metering: 4 rates for 12 periods
	DUAL Energy Metering: Supported
	Fault Record: 10000 Events Records
	Communication: RS485 x1 (19.2kbps MAX)

Contour and installation size



Front size		Enclosure size			Mounting hole size	
Width (D)	Height (H)	Width (d)	Height (h)	Depth (L)	Width (d1)	Height (h1)
96mm	96mm	90mm	90mm	45mm	92mm	92mm

Note: The function description only lists some important functions, not all the functions of the meter. For more details, please refer to the user's manual or contact us.

Multifunctional Power Quality Analysis Meter

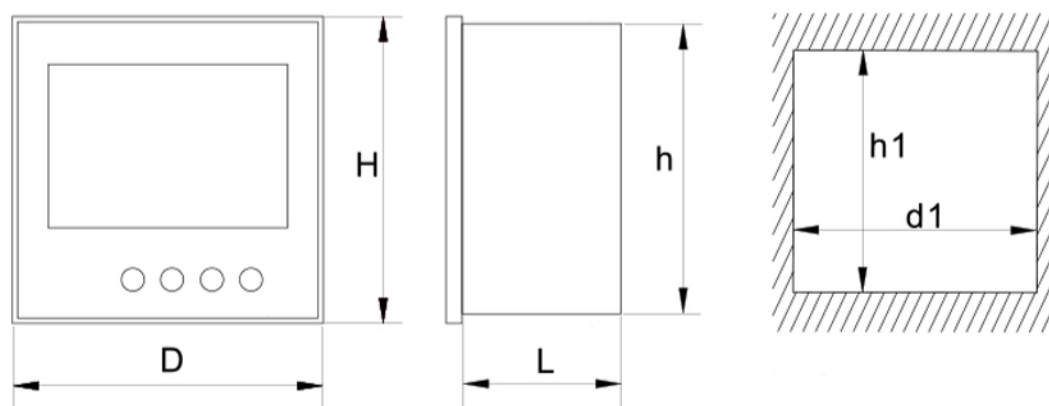
HP292S+SF



HP292S+SF

	HP292S	HP292SF
Class	0.2 / 0.2s	0.2 / 0.2s
Summary	Standard meter with IPS colorful screen	Multi-tariff meter with IPS colorful screen
Key Type	Touch type 4 keys	Touch type 4 keys
Function	Aux Supply: Self Powered	Aux Supply: Self Powered
	Basic Parameter: V / A / Hz W / var / VA COS Φ kWh / kvarh	Basic Parameter: V / A / Hz W / var / VA COS Φ kWh / kvarh
	Power Quality: THD / TOHD / TEHD HRU / HRI THF / KF / CF Unbalance factor	Power Quality: THD / TOHD / TEHD HRU / HRI THF / KF / CF Unbalance factor
	Multi-tariff Metering: None	Multi-tariff Metering: 4 rates for 12 periods
	DUAL Energy Metering: None	DUAL Energy Metering: Optional
	Fault Record: None	Fault Record: None
	Communication: RS485 x1 (19.2kbps MAX)	Communication: RS485 x1 (19.2kbps MAX)

Contour and installation size



Front size		Enclosure size			Mounting hole size	
Width (D)	Height (H)	Width (d)	Height (h)	Depth (L)	Width (d1)	Height (h1)
96mm	96mm	90mm	90mm	45mm	92mm	92mm

Note: The function description only lists some important functions, not all the functions of the meter. For more details, please refer to the user's manual or contact us.

Multifunctional Power Quality Analysis Meter

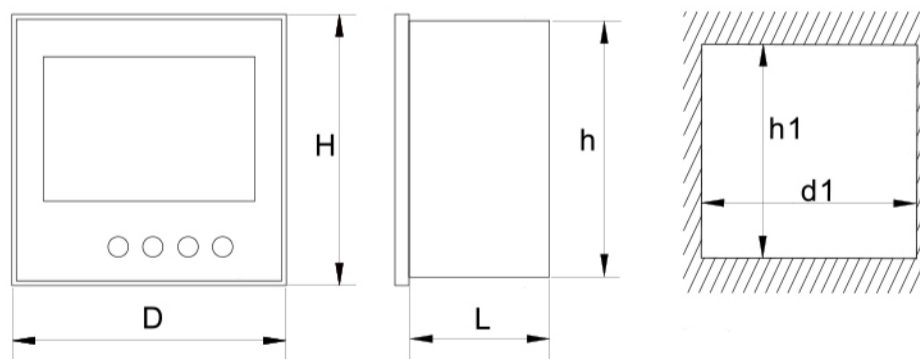
HP292 H



HP292H

Class	0.2 / 0.2s
Summary	Standard meter with VA LCD screen
Key Type	Touch type 4 keys
Function	Aux Supply: Self Powered
	Basic Parameter: V / A / Hz W / var / VA COSΦ kWh / kvarh
	Power Quality: THD
	Multi-tariff Metering: None
	DUAL Energy Metering: None
	Fault Record: None
	Communication: RS485 x1 (19.2kbps MAX)

Contour and installation size



Front size		Enclosure size			Mounting hole size	
Width (D)	Height (H)	Width (d)	Height (h)	Depth (L)	Width (d1)	Height (h1)
96mm	96mm	90mm	90mm	45mm	92mm	92mm

Note: The function description only lists some important functions, not all the functions of the meter. For more details, please refer to the user's manual or contact us.

Multifunctional Power Quality Analysis Meter

HP292 C



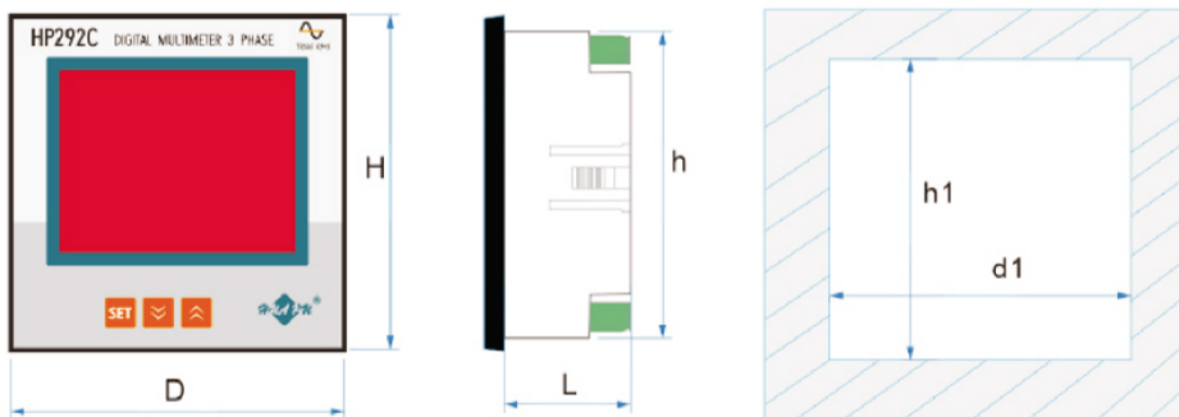
HP292C

HP292C User's Manual



Class	0.2 / 0.2s
Summary	Economical meter with LED screen
Key Type	3 keys
Function	Aux Supply: ▶AC/DC85~264V
	Basic Parameter: ▶V / A / Hz ▶W / var / VA ▶COSΦ ▶kWh / kvarh
	Power Quality: ▶THD
	Multi-tariff Metering: ▶None
	DUAL Energy Metering: ▶ Optional
	Fault Record: ▶None
	Communication: ▶RS485 x1 (19.2kbps MAX)

Contour and installation size



Front size		Enclosure size			Mounting hole size	
Width (D)	Height (H)	Width (d)	Height (h)	Depth (L)	Width (d1)	Height (h1)
96mm	96mm	90mm	90mm	39mm	91mm	91mm

Note: The function description only lists some important functions, not all the functions of the meter. For more details, please refer to the user's manual or contact us.

HP16 Series Small-size Universal Digital Display Meter



1. Function Summarization

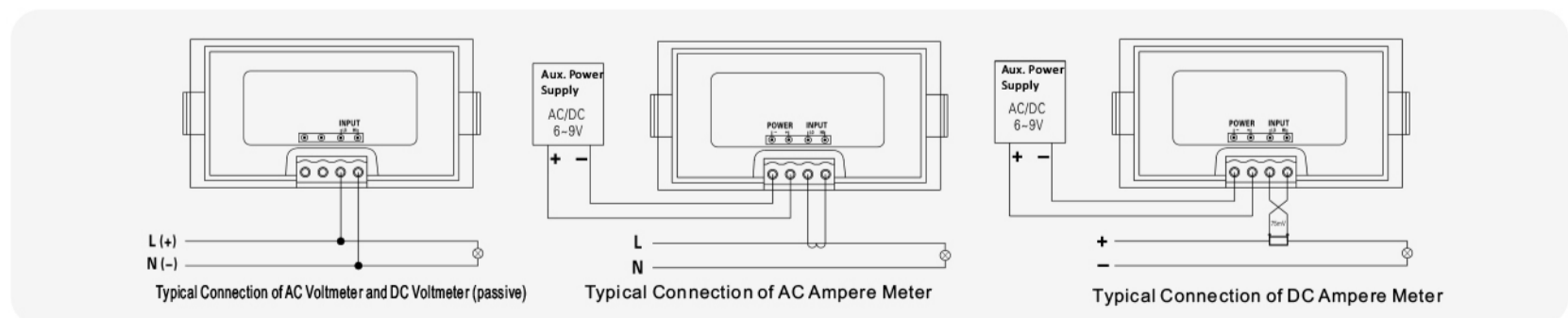
It's a small size digital display meter, which is mainly used to real-time measure the AC voltage, DC voltage, AC current and DC current of the electric circuit. It adopts the LED or LCD figure direct reading mode to display. It is widely applied in the stabilizer, check machine, or other electric devices or systems which have a certain limit for the meter size. It has the characteristics of small size, light weight, simple structure, convenient installation, and so on. It's an ideal substitute of analog meter. In addition, this meter is very suitable to equip with sensor which has linear power signal output and transmitter, then to display the electric quantity value or non-electric quantity value of primary loop of transmitter or sensor.

2. Model & Specification & Selection Table

Picture	Model	Name	Measuring Input	Display Range	Accuracy of Measure	Aux. Power Supply	Contour Size (mm)	Mounting Hole (mm)	Note
	HP164U-T1	AC voltmeter	AC80~400V	80~400V	±2V	none	79x42x24 (W*H*L)	76x40 (W*H)	Closed shell, four-digit red color LED display
	HP165U-T1	DC voltmeter	DC0~500V	0~500V	±0.5%FS	AC 6~9V, DC 5V, these aux. power supply will not isolate from the signal input			
	HP164I-T1	AC ammeter	AC*/5A	0~9999	±0.5%FS				
	HP165I-T1	DC ammeter	DC5A or 75mV	0~9999	±0.5%FS				
	HP164U-T2	AC voltmeter	AC80~400V	80~400V	±2V	none	79x42x24 (W*H*L)	76x40 (W*H)	Open shell, three-digit red color (or blue color) LED display
	HP165U-T2	DC voltmeter	DC0~500V	0~500V	±0.5%FS	AC 6~9V, DC 5V, these aux. power supply will not isolate from the signal input			
	HP164I-T2	AC ammeter	AC*/5A	0~999	±0.5%FS				
	HP165I-T2	DC ammeter	DC5A or 75mV	0~999	±0.5%FS				
	HP164UI-T2Y	AC voltmeter + AC ammeter	AC100~300V AC0~50A (with free installation type mutual inductor)	100~300V 0~50.0A	±1.0%FS	none	79x42x24 (W*H*L)	76x40 (W*H)	Open shell, two-row three-digit blue backlight LCD display
	HP164U-T3	AC voltmeter	AC80~400V	80~400V	±2V	AC 6~9V, DC 5V, these aux. power supply will not isolate from the signal input	70x42x20 (W*H*L)	66x40 (W*H)	Open shell, three-digit red color (or blue color) LED display
	HP165U-T3	DC voltmeter	DC0~500V	0~500V	±0.5%FS				
	HP164I-T3	AC ammeter	AC*/5A	0~999	±0.5%FS				
	HP165I-T3	DC ammeter	DC5A or 75mV	0~999	±0.5%FS				
	HP164UI-T3	AC voltmeter + AC ammeter	AC100~300V AC0~50A (with free installation type mutual inductor)	100~300V 0~50.0A	±1.0%FS	none	70x42x20 (W*H*L)	66x40 (W*H)	Open shell, two-row three-digit red color LED display
	HP164UF-T3	AC voltmeter + Hz meter	AC100~300V 40~70Hz	100~300V 40~70Hz	±1.0%FS				
	HP164U-T4	AC voltmeter	AC80~400V	80~400V	±2V	none	48x29x22 (W*H*L)	46x27 (W*H)	Open shell, three-digit red color LED display
	HP165U-T4	DC voltmeter	DC5~30V	5.0~30.0V	±0.3V				
	HP164UI-T4	DC voltmeter + DC ammeter	DC5~30V DC0~75mA	5.0~30.0V 00~999A	±1.0%FS	none	48x29x22 (W*H*L)	46x27 (W*H)	Open shell, three-digit red color LED display

Note: if the user needs any special model which has been listed in the above table, please contact with the manufacturer. For this series meters, there is no security isolation between the measuring input and power supply end. The user should pay attention to this when using.

3. Basic Parameter



HP164Z-T5, T6z Series Generator Digital Display Meter

1. Function Summarization



HP164Z-T5 4-in-1 meter

It's a small size digital display meter, which is mainly used to install on the fixed or moveable generator set to real-time measure the AC voltage and frequency of output circuit, and it adopts the LED figure direct reading mode to display. At the same time, it can provide the functions such as the running time of generator, generator oil trouble indication and forced flameout. It adopts the epoxy resin sealing and filling process to produce, and it can meet the generator requirements of waterproof, dampproof, shock-proof, and safety protection.

Function features:

- ★ It can measure the output circuit voltage and frequency at the same time, and toggle display by panel keyboard
- ★ It has the function of accumulated running time statistics of generator, and the data will not be lost when power off or instable voltage
- ★ It can support the low oil level fault light alarm (only for 4-in-1 meter)
- ★ It can control the ignition plug to realize the forced flameout protection when oil fault (only for 4-in-1 meter)
- ★ It adopts the no auxiliary power supply design mode, when input the voltage signal, the meter will start normal working
- ★ The circuit board adopts the epoxy resin glue to seal, which makes it safe and reliable
- ★ It selects and uses the specialized connectors to reduce the error probability of connection



HP164Z-T6 3-in-1 meter

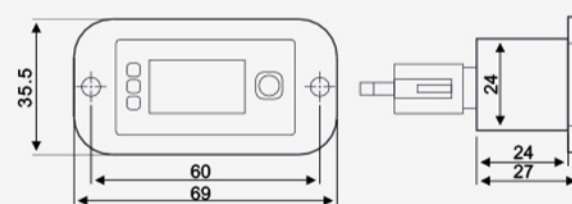
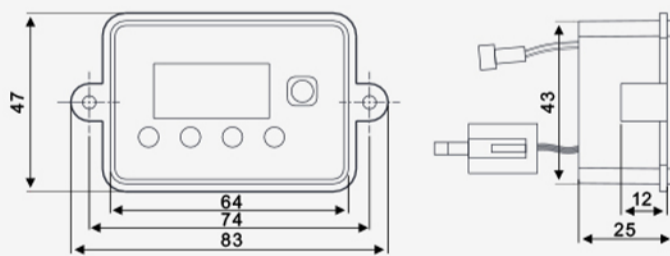
2. Model & Specification & Selection Table

Model	Function				
	Voltage	Frequency	Running time	Oil failure indication	Forced flameout control
HP164Z-T6 3-in-1 meter	✓	✓	✓		
HP164Z-T5 4-in-1 meter	✓	✓	✓	✓	✓

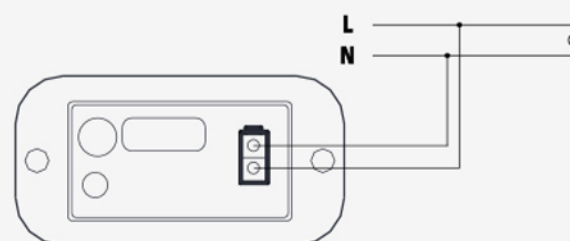
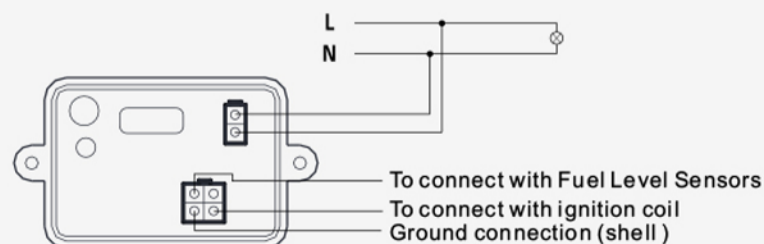
3. Basic Parameter

- ★ Measuring range of voltage: AC 90V~300V
- ★ Measuring range of frequency: 45.00~65.00Hz
- ★ Measuring accuracy of voltage: $\pm 1.0\%$
- ★ Measuring accuracy of frequency: ± 0.2 Hz
- ★ Resolving ability: for voltage is 1V; for frequency is 0.1Hz
- ★ Power consumption of meter: <3W
- ★ Cumulative running time: maximum 9999 hours, resolving ability is 0.1h, data will be not lost when power off
- ★ Working environment: temperature is $-10\sim+50^{\circ}\text{C}$, humidity <85% RH, without any corrosive gas
- ★ Safety withstand voltage: between the measuring input terminal and the control terminal, or between the measuring input terminal and the shell, they can pass the AC 2kV withstand voltage testing

4. Terminal Layout and Connection(mm)



5. Typical Connection



Electromagnetic Series Moving-iron Type Square Meter



AC Ammeter

Type: HP-T96A-3 \ HP-T72A-3 \ HP-T48A-3
HP-T80A-3 \ HP-T120A-3

Specification:

Directly connected type, AC 0.5A~20A, accuracy class 1.5

Directly connected type, AC 30A~100A, accuracy class 2.5

AC 10A~10kA should externally connect a CT of secondary current 1A or 5A, accuracy class 1.5

Advantage:

All the meter dials are screen printed. For different mutual inductor ratios, the corresponding meter dials can be interchanged if the secondary current are same. And the accuracy class is same.



AC Voltmeter

Type: HP-T96V-3 \ HP-T72V-3 \ HP-T48V-3

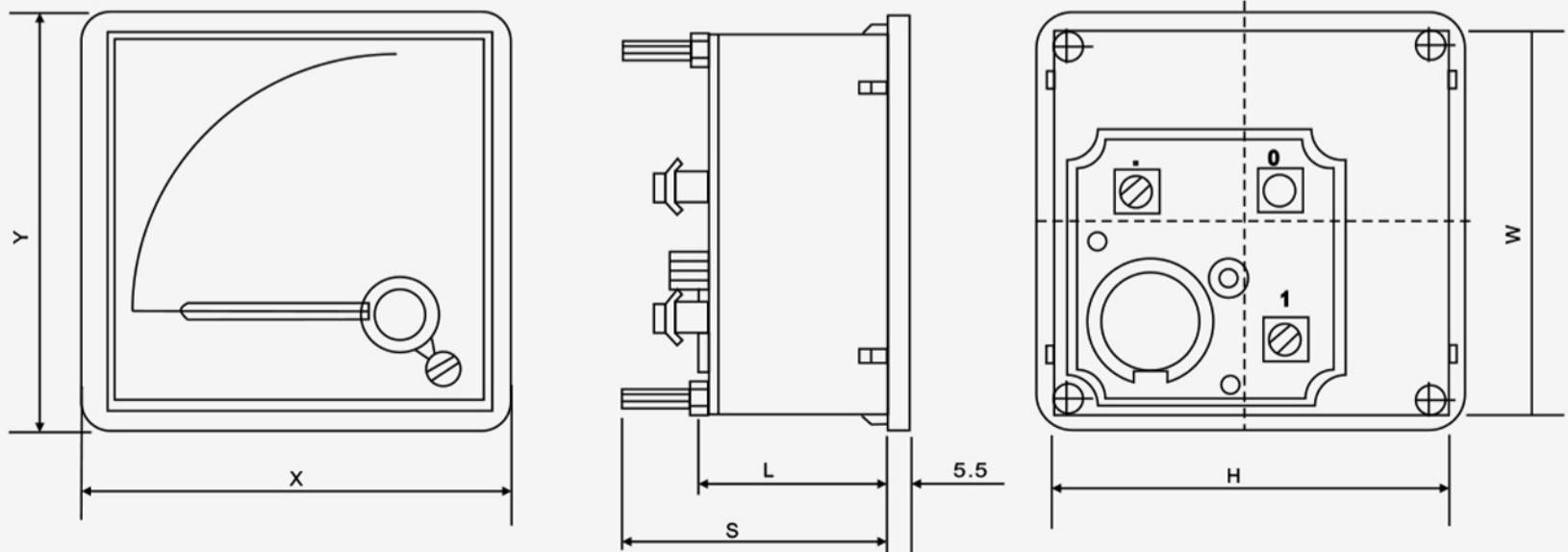
Spefication:

Directly connected type, AC 100V~750V

AC 1kV~35kV should externally connect a PT of secondary voltage 100V

Accuracy class: 1.5

Contour and Installation Drawing of Square Meter



Electromagnetic Series Moving-iron Type Square Meter



AC Ammeter

Type: HP-T96A-6 \ HP-T72A-6 \ HP-T48A-6

Specification :

Directly connected type, AC 0.5A~20A, accuracy class 1.5

Directly connected type, AC 30A~100A, accuracy class 2.5

AC 10A~10kA should externally connect a CT of secondary current 1A or 5A, accuracy class 1.5

Advantage:

All the meter dials are screen printed. For different mutual inductor ratios, the corresponding meter dials can be interchanged if the secondary current are same. And the accuracy class is same.



AC Voltmeter

Type: HP-T96V-6 \ HP-T72V-6 \ HP-T48V-6

Specification :

Directly connected type, AC 100V~750V

AC 1kV~35kV should externally connect a PT of secondary voltage 100V

Accuracy class: 1.5

Contour and Installation Size of Square Meter

Type	Installation Size W*H*L(mm)	Contour Size X*Y*S(mm)
HP-96	90*90*43	96*96*67
HP-80	74*74*43	80*80*67
HP-72	66*66*43	72*72*67
HP-48	42*42*43	48*48*67

Magnetoelectric Series Moving-coil Type Square Meter



AC Ammeter

Type: HP-L96A-6 \ HP-L72A-6 \ HP-L48A-6

Specification :

Directly connected type, AC 0.5A~20A, accuracy class 1.5
 Directly connected type, AC 30A~100A, accuracy class 2.5
 AC 10A~10kA should externally connect a CT of secondary current 1A or 5A, accuracy class 1.5

Advantage:

All the meter dials are screen printed. For different mutual inductor ratios, the corresponding meter dials can be interchanged if the secondary current are same. And the accuracy class is same.



AC Voltmeter

Type: HP-L96V-6 \ HP-L72V-6 \ HP-L48V-6

Specification:

Directly connected type, AC 10V~750V
 AC 1kV~35kV should externally connect a PT of secondary voltage 100V
 Accuracy class 1.5



AC Ammeter

Type: HP-L96A-3 \ HP-L72A-3 \ HP-L48A-3

Specification:

Directly connected type, AC 0.5A~20A, accuracy class 1.5
 Directly connected type, AC 30A~100A, accuracy class 2.5
 AC 10A~10kA should externally connect a CT of secondary current 1A or 5A, accuracy class 1.5

Advantage:

All the meter dials are screen printed. For different mutual inductor ratios, the corresponding meter dials can be interchanged if the secondary current are same. And the accuracy class is same.



AC Voltmeter

Type: HP-L96V-3 \ HP-L72V-3 \ HP-L48V-3

Specification :

Directly connected type, AC 10V~750V
 AC 1kV~35kV should externally connect a PT of secondary voltage 100V
 Accuracy class 1.5

Square Hz Meter



Hz (Frequency) Meter

Type: HP-F96-3 \ HP-F72-3 \ HP-F48-3

Voltage: 50V \ 100V \ 220V \ 380V \ 415V \ 440V

Frequency: 45~55Hz \ 45~65Hz \ 55~65Hz

Accuracy class: 1.0



Hz (Frequency) Meter

Type: HP-F96-6 \ HP-F72-6 \ HP-F48-6

Voltage: 50V \ 100V \ 220V \ 380V \ 415V \ 440V

Frequency: 45~55Hz \ 45~65Hz \ 55~65Hz

Accuracy class: 1.0



Hz /rpm Meter

Type: HP-R96-3 \ HP-R72-3

Voltage: 50V \ 100V \ 220V \ 380V \ 415V \ 440V

Frequency: 45~55Hz \ 45~65Hz \ 55~65Hz/rpm

Accuracy class: 1.0



Vibrating Reed Hz (Frequency) Meter

Type: HP-R96 \ HP-R72 (single row)

Voltage: 50V \ 100V \ 220V \ 380V \ 415V \ 440V

Frequency: 45~55Hz \ 45~65Hz

Accuracy class: 1.0

Note: this vibrating reed Hz meter is single row horizontal, which is used to measure the frequency of power grid.

Square Power Factor and Power Meter



COS ϕ (Power Factor) Meter

Type: HP-R96-3 \ HP-R72-3 \ HP-R48-3

Voltage:

Three-phase, 100V \ 220V \ 380V \ 415V \ 440V \ 5A or 1A

Single phase, 100V \ 220V \ 380V \ 415V \ 5A or 1A

Frequency: 45Hz~65Hz

Specification: 0.5cap-1-0.5ind

Accuracy class: 2.5

Advantage:

All the meter dials are screen printed. If it is equipped with mutual inductor, which secondary current is 5A or 1A, then this meter is used in the single phase or three-phase circuits.



COS ϕ (Power Factor) Meter

Type: HP-R96-6 \ HP-R72-6 \ HP-R48-6

Voltage:

Three-phase, 100V \ 220V \ 380V \ 415V \ 440V \ 5A or 1A

Single phase, 100V \ 220V \ 380V \ 415V \ 5A or 1A

Frequency: 45Hz~65Hz

Specification: 0.5cap-1-0.5ind

Accuracy class: 2.5

Advantage:

All the meter dials are screen printed. If it is equipped with mutual inductor, which secondary current is 5A or 1A, then this meter is used in the single phase or three-phase circuits.



W (Power) Meter

Type: HP-W96-3 \ HP-W72-3 \ HP-W48-3

Voltage:

Single phase, 100V \ 220V

Three-phase three-wire, 100V \ 220V \ 380V \ 415V \ 440V

Three-phase four-wire, 58V(100V) \ 220V(380V) \ 240V(415V)

All the above voltage are connected directly.

For the higher voltage, it should be equipped with a PT of secondary voltage 100V.

Current: 5A or 1A

For the higher current, it should be equipped with a CT of secondary current 5A or 1A.

Frequency range: 45Hz~65Hz

Accuracy class: 1.5

Note: this meter is internally installed with or externally connected an active or reactive power transverte. It is divided into single phase, three-phase three-wire, three-phase four-wire active and reactive power meters, which is used in the balanced load and unbalanced load circuits.

Square Customized Ammeter



Single structure

Type: HP-M96

Specification :

To measure the average maximum current value of 8min. or 15 min. or 30 min.
 8 min. 5A or 1A
 15 min. 5A or 1A
 30 min. 5A or 1A

Advantage:

1. to measure and indicate the maximum average load of 8min., 15min., or 30min. It uses the red color pointer to indicate the maximum demand, and the maximum demand indicated pointer can be reset by zero reset button.
2. the meter dials can be replaced: all the meter dials are screen printed. For different mutual inductor ratios, the corresponding meter dials can be interchanged if the input measuring signals are same. And the accuracy class is same.



Dual structure

Type: HP-2M96

Specification :

To measure the average maximum current value of 8min. or 15 min. or 30 min.
 8 min. 5A or 1A
 15 min. 5A or 1A
 30 min. 5A or 1A

Accuracy class: for demand meter, 3.0
 for instantaneous ammeter, 1.5

Advantage:

1. to measure and indicate the maximum average load of 8min., 15min., or 30min. It uses the red color pointer to indicate the maximum demand, and the maximum demand indicated pointer can be reset by zero reset button.
2. the meter dials can be replaced: all the meter dials are screen printed. For different mutual inductor ratios, the corresponding meter dials can be interchanged if the input measuring signals are same. And the accuracy class is same.



Anti-explosion Meter

Type: HP-E96-3 \ HP-E72-3 \ HP-E48-3

Specification:

AC 10A~10kA should externally connect a CT of second-ary current 1A or 5A
 Frequency: 50Hz ~ 60Hz
 Accuracy class: 1.5
 Power consumption <0.45VA

Advantage:

- All the meter dials are screen printed. For different mutual inductor ratios, the corresponding meter dials can be interchanged if the secondary current are same. And the accuracy class is same.

Education Meter Series (For Student Experiment)



AC/DC Ammeter

Type: HP-407

Measuring range:
AC 0-10, AC 0-20A, DC 0-10A, DC 0-20A

Feature:
Double scale, visualized mirror display, AC/DC can be switched to measure



AC/DC Voltmeter

Type: HP-407

Measuring range:
AC 0-250V, AC 0-500V, DC 0-250V, DC 0-500V

Feature:
Double scale, visualized mirror display, AC/DC can be switched to measure



DC uA Meter

Measuring range:
DC 0-50uA

Feature:
High sensitivity, micro current precise measurement



DC mV Meter

Type: HP-407

Measuring range:
DC 0-25mV

Feature:
High sensitivity, micro voltage precise measurement

Note: the above meters can be customized according to the customers' different requirements!

Magnetolectric Series Moving-coil Type Rectangular Meter (Improved Type)



AC Ammeter

Type: HP-L80A-1 \ HP-L60A-1 \ HP-L670A-1

Specification:

Directly connected type, AC 0.5A~20A, accuracy class 1.5

Directly connected type, AC 30A~50A, accuracy class 2.5

AC 10A~10kA should externally connect a CT of secondary current 1A or 5A, accuracy class 1.5



AC Voltmeter

Type: HP-L80V-1 \ HP-L60V-1 \ HP-L670V-1

Specification:

Directly connected type, AC 10V~750V

AC 1kV~35kV should externally connect a PT of secondary voltage 100V

Accuracy class : 1.5



Hz (Frequency) Meter

Type: HP-F80A-1 \ HP-F60A-1 \ HP-F670V-1

Specification:

Frequency: 45~55Hz \ 45~65Hz \ 55~65Hz

Voltage: 100V \ 220V \ 380V \ 415V \ 440V

Accuracy class: 1.5



AC Voltmeter

Type: HP-E8030

Specification:

Directly connected type, AC 10V~750V

AC 1kV~35kV should externally connect a PT of secondary voltage 100V

Accuracy class : 1.5

Magnetolectric Series Moving-coil Type Rectangular Meter (Improved Type)



DC Ammeter

Type: HP-D80A-1 \ HP-D60A-1 \ HP-D670A-1

Specification:

Directly connected type, DC 50 μ A~500 μ A

Directly connected type, DC 1mA~500mA

Directly connected type, DC 1A~30A

DC 15~3kA should externally connect a 75mV, 60mV or 50mV shunt

Accuracy class: 1.5



DC Voltmeter

Type: HP-D80V-1 \ HP-D60V-1 \ HP-D670V-1

Specification:

Directly connected type, DC 3V~600V

DC 1kV~3kV should externally connect a rated value resistor
(rated current is 5mA or 1mA)

Accuracy class: 1.5

Magnetolectric Series Moving-coil Type Rectangular Meter



AC Ammeter

Type: HP-L80A-2 \ HP-L670A-2 \ HP-L60A-2 \ HP-L50A-2

Specification:

Directly connected type, AC 0.5A~20A, accuracy class 1.5

Directly connected type, AC 30A~50A, accuracy class 2.5

AC 10A~10kA should externally connect a CT of secondary current
1A or 5A, accuracy class 2.5



AC Voltmeter

Type: HP-L80V-2 \ HP-L670V-2 \ HP-L60V-2

Specification:

Directly connected type, AC 10V~750V

AC 1kV~35kV should externally connect a PT of secondary voltage 100V

Accuracy class : 1.5

Magnetolectric Series Moving-coil Type Rectangular Meter



AC Voltmeter

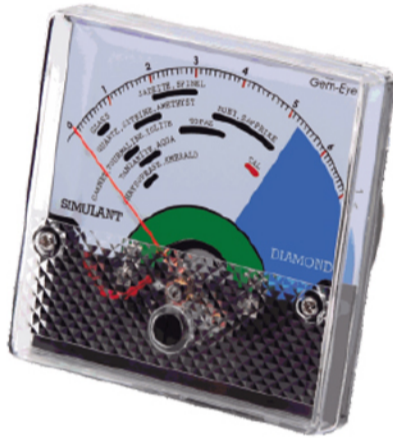
Type: HP-L50V \ HP-L450V \ HP-L45V

Specification:

Directly connected type, AC 10V ~750V

AC 1kV ~35kV should externally connect a PT of secondary voltage 100V

Accuracy class : 1.5



DC Ammeter

Type: HP-C80A-2 \ HP-C670-2 \ HP-C60A-2
HP-C50A-2 \ MU-C45A

Specification:

Directly connected type, DC 50uA~500uA

Directly connected type, DC 1mA~500mA

Directly connected type, DC 1A~30A

DC 15 ~3kA should externally connect a 75mV, 60mV or 50mV shunt

Accuracy class: 1.5 or 2.5



DC Voltmeter

Type: HP-C80V-2 \ HP-C670V-2 \ HP-C60V-2
HP-C50V \ MU-C45V

Specification:

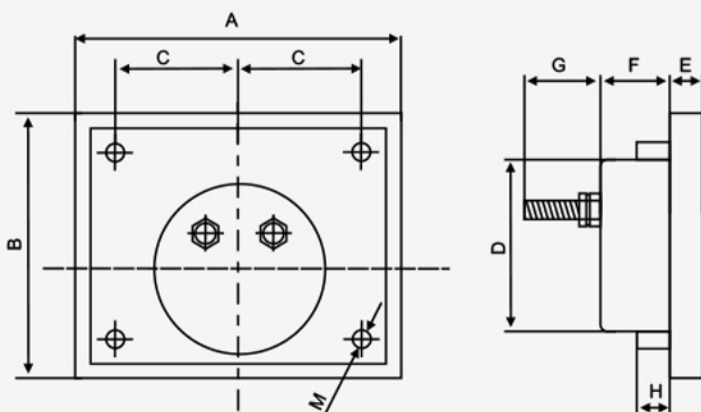
Directly connected type, DC 3V~600V

DC 1kV~3kV should externally connect a rated value resistor

(rated current is 5mA or 1mA)

Accuracy class: 1.5 or 2.5

Contour and Installation Size



Model	A	B	C	D	E	F	G	H	M
HP-80	80	80	32	52	15	30	12	10	3
HP-670	70	60	24	48	15	30	12	10	3
HP-60	60	60	24	48	15	30	12	10	3
HP-50	50	50	24	45	13	24	12	10	3
MU-45	58	52	24	45	12	24	12	10	3

Magnetolectric Series Moving-coil Type DC Series



DC uAmmeter

Type: MU-45

Specification:
Directly connected type, DC 100uA
accuracy class 2.0



DC Voltmeter

Type: HP-45

Specification:
Directly connected type, DC 50V
Accuracy class : 2.5



DC Ammeter

Type: HP-85C17 \ HP-85C1

Specification:
Directly connected type, DC 50uA~500uA, accuracy class 2.5
Directly connected type, DC 1mA~500mA, accuracy class 2.5
Directly connected type, DC 1A~30A, accuracy class 2.5
DC 15~3kA should externally connect a 75mV, 60mV or 50mV shunt
Accuracy class: 2.5



DC Voltmeter

Type: HP-85C17 \ HP-85C1

Specification:
Directly connected type, DC 3V~750V, accuracy class: 1.5
DC 1kV~3kV should externally connect a rated value resistor
(rated current is 5mA or 1mA), accuracy class 2.5
Frequency: 50Hz~60Hz

Magnetolectric Series Moving-coil Type PM Series

DC Ammeter



Type: PM-2 (460#) \ PM-3 (860#)

Specification:

Directly connected type, DC 50uA~500uA

Directly connected type, DC 1mA~500mA

Directly connected type, DC 1A~30A

DC 15~3kA should externally connect a 75mV, 60mV or 50mV shunt

Accuracy class: 1.5

DC V/A Meter



Type: PM-2 (460#) \ PM-3 (860#)

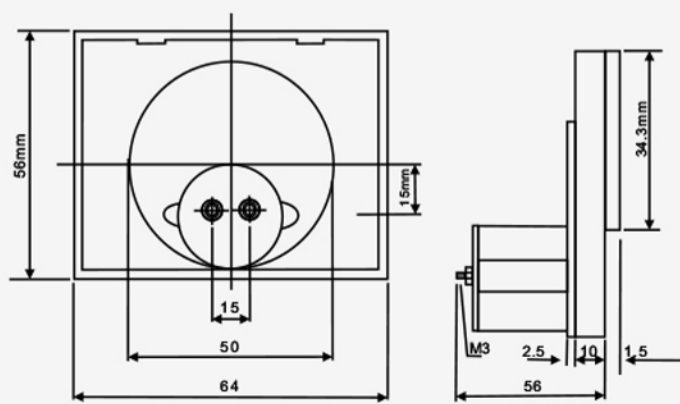
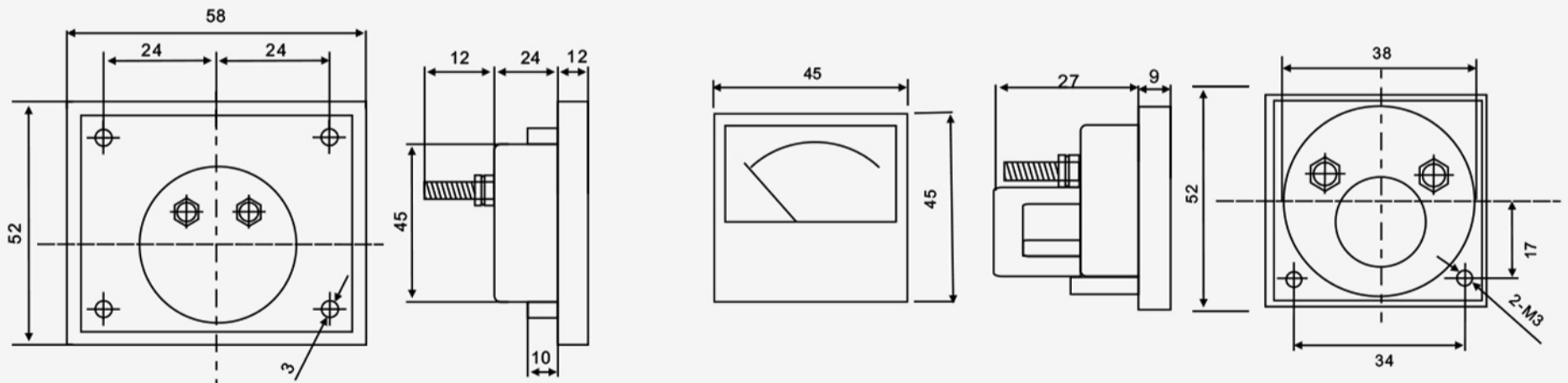
Specification:

Directly connected type, DC 0~30V, DC 0~1.5A

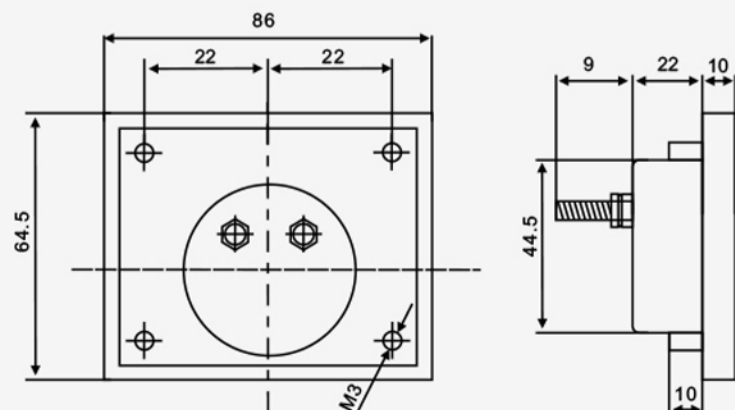
Accuracy class: 1.5

Feature: Double measuring range, can be switched to measure

Contour and Installation Drawing



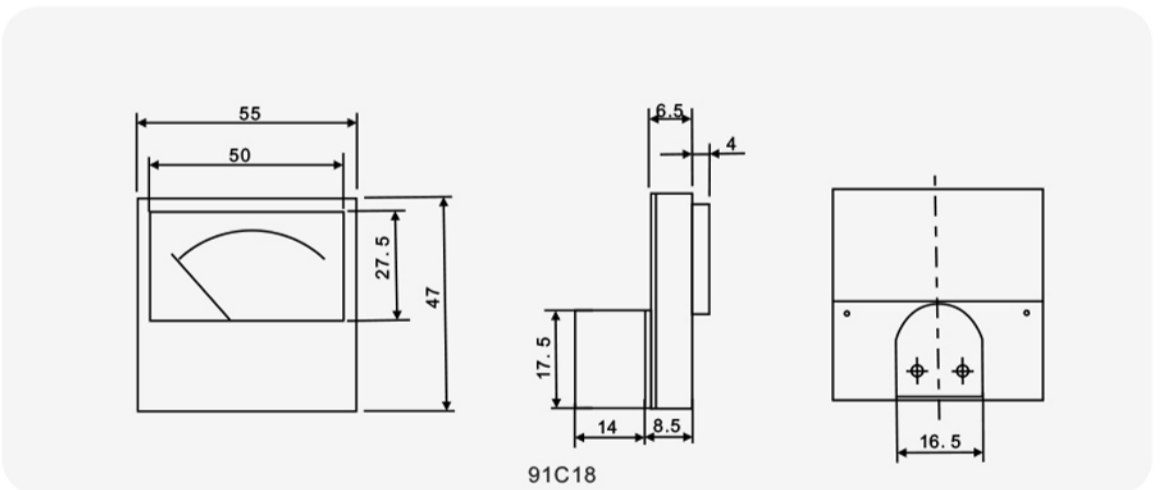
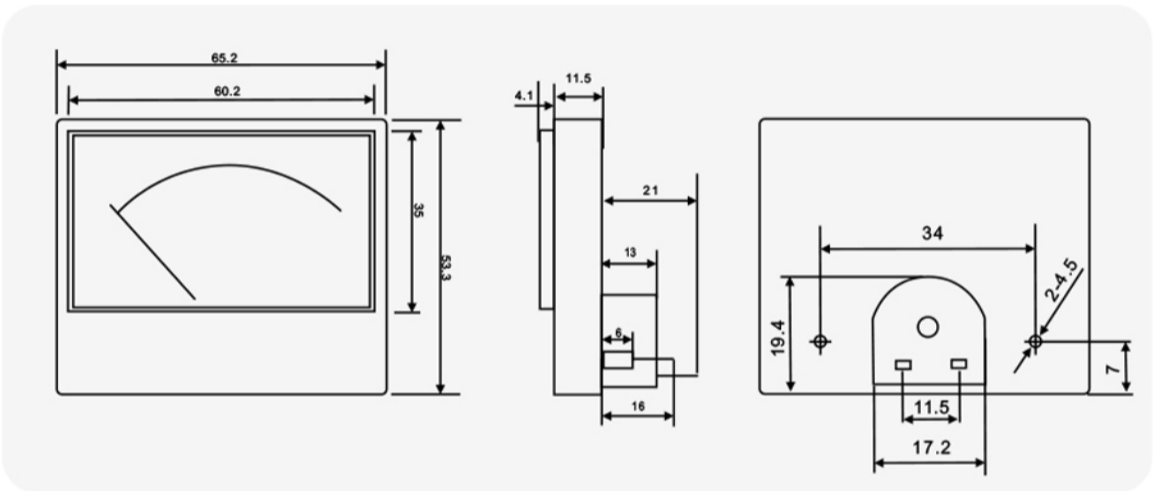
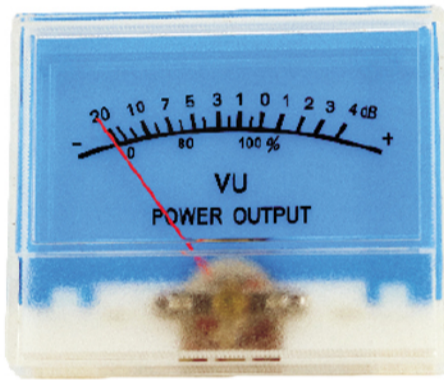
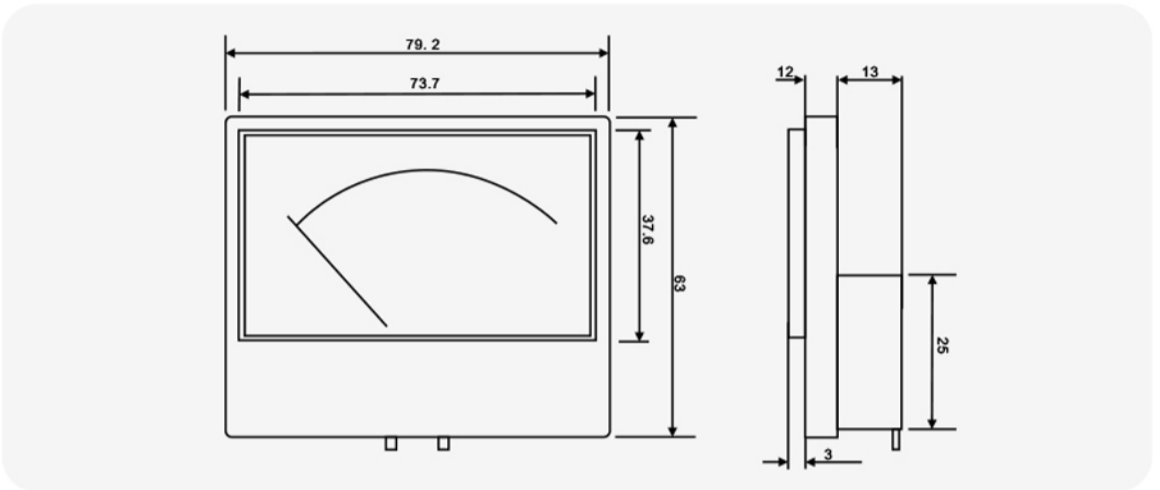
85C17 Diagram



PM-3(860#)

VU Meter Series

Picture & Size Drawing

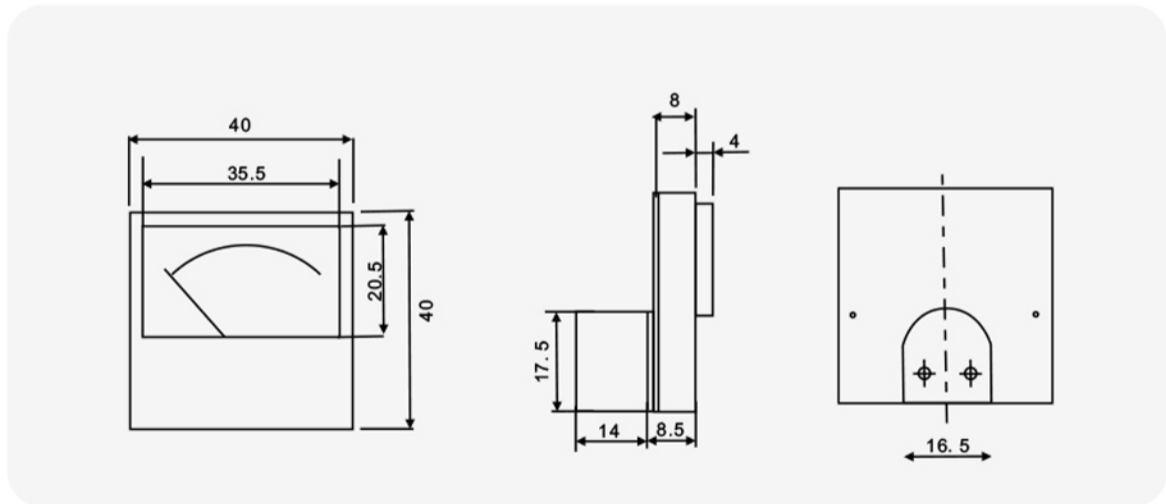
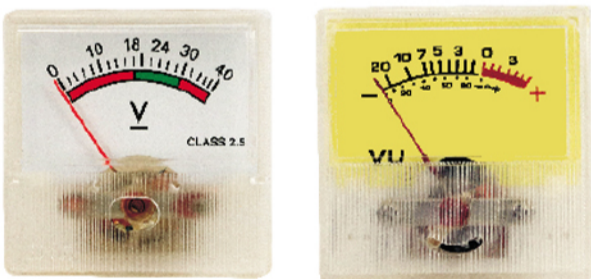
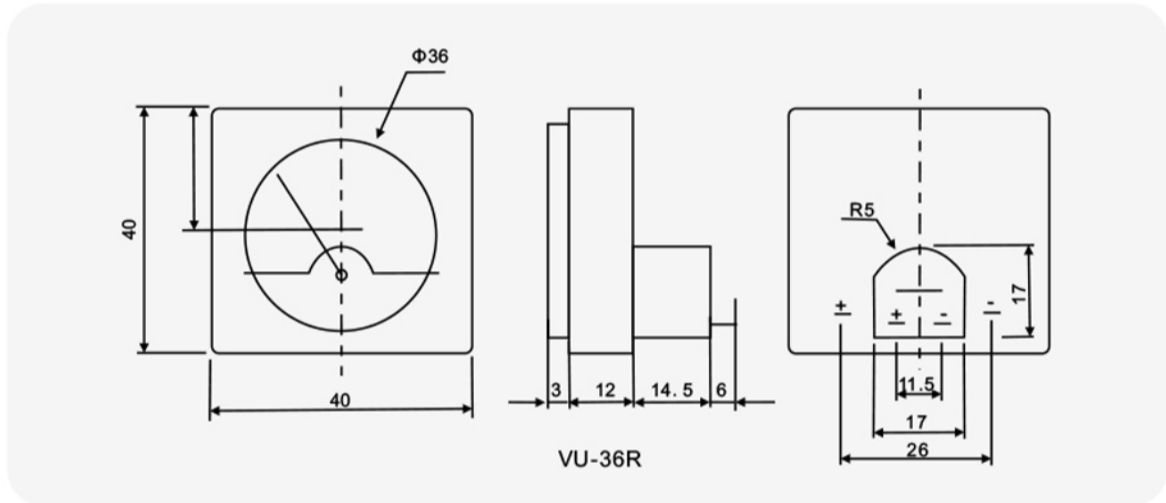
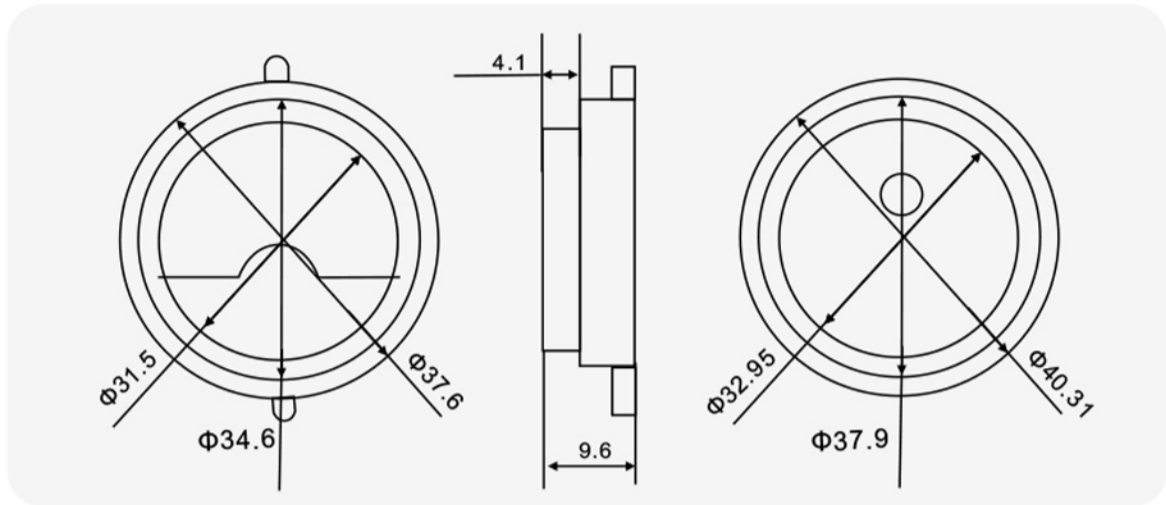


Technical Parameter

Model	Sensitivity ± 10%	Resistance ± 15%	0 Vu	Internal Illumination
VU79	0-500uA	650 Ω	275uA	DC 9V
VU65	0-500uA	650 Ω	275uA	DC 6V
VU55	0-500uA	650 Ω	275uA	No(can be customized)

VU Meter Series

Picture & Size Drawing

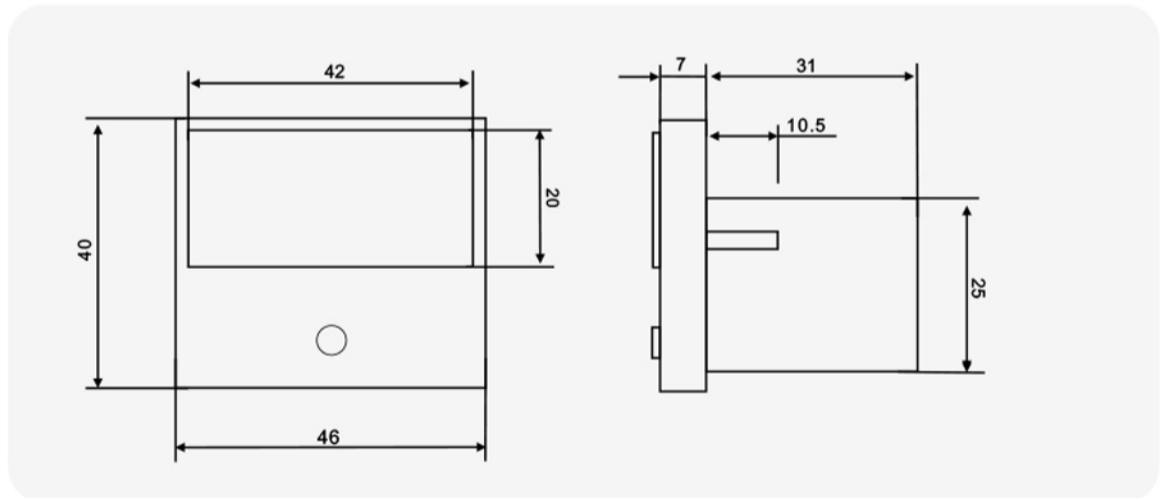
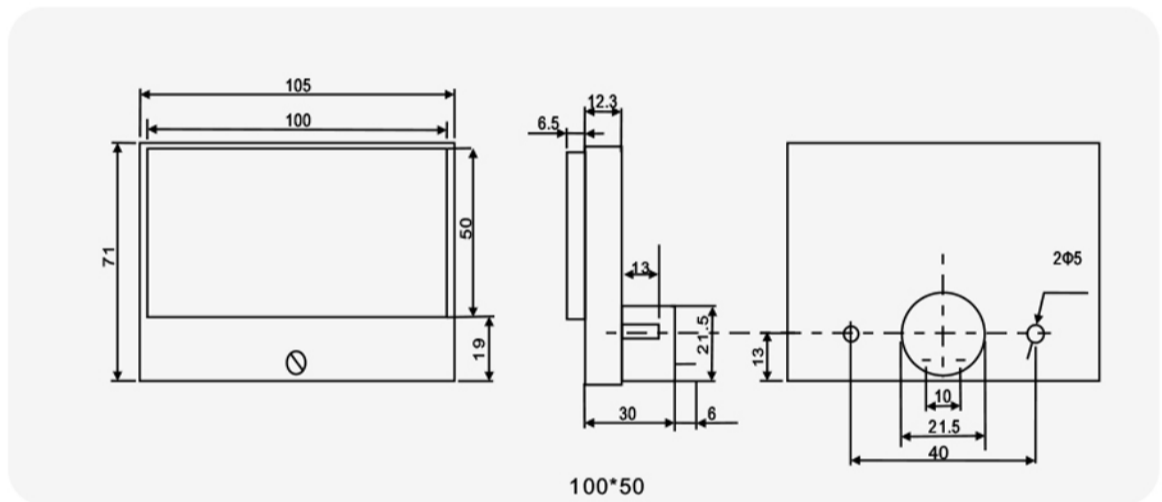
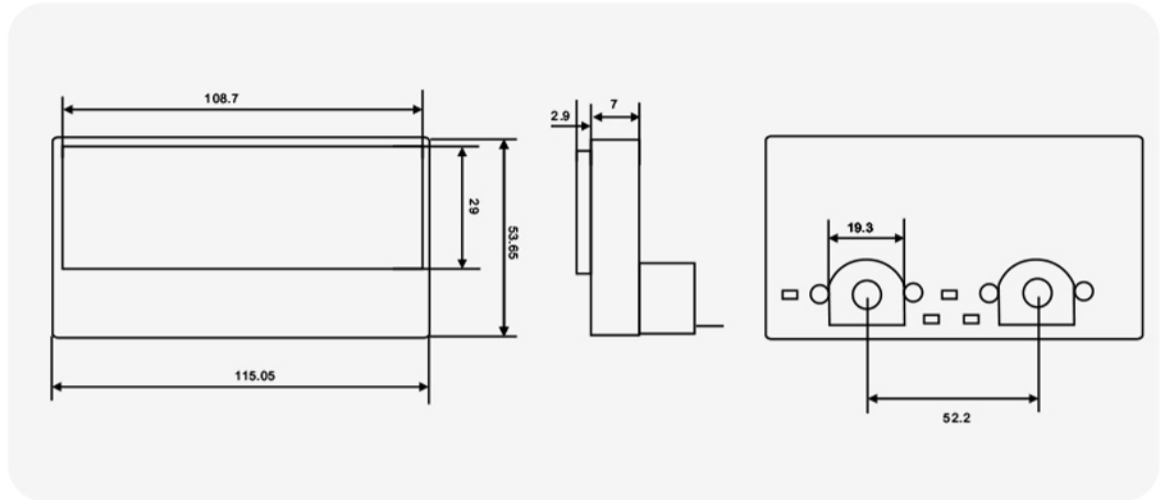


Technical Parameter

Model	Sensitivity ± 20%	Resistance ± 15%	Internal Illumination
VU35	500uA	650 Ω	No(can be customized)
VU40	500uA	650 Ω	No(can be customized)
VU40	500uA	650 Ω	No(can be customized)

VU Meter Series

Picture & Size Drawing

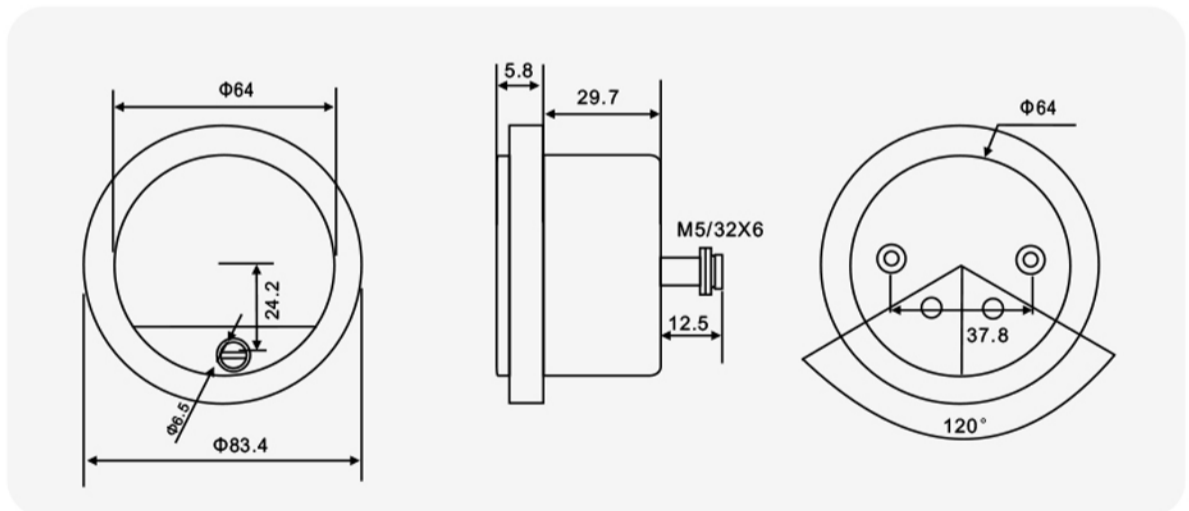
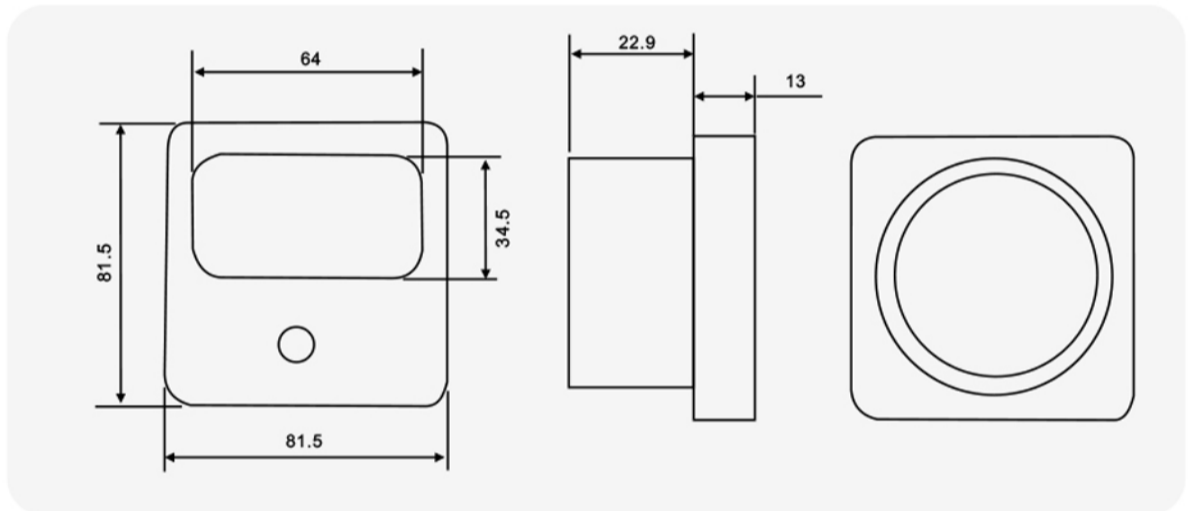
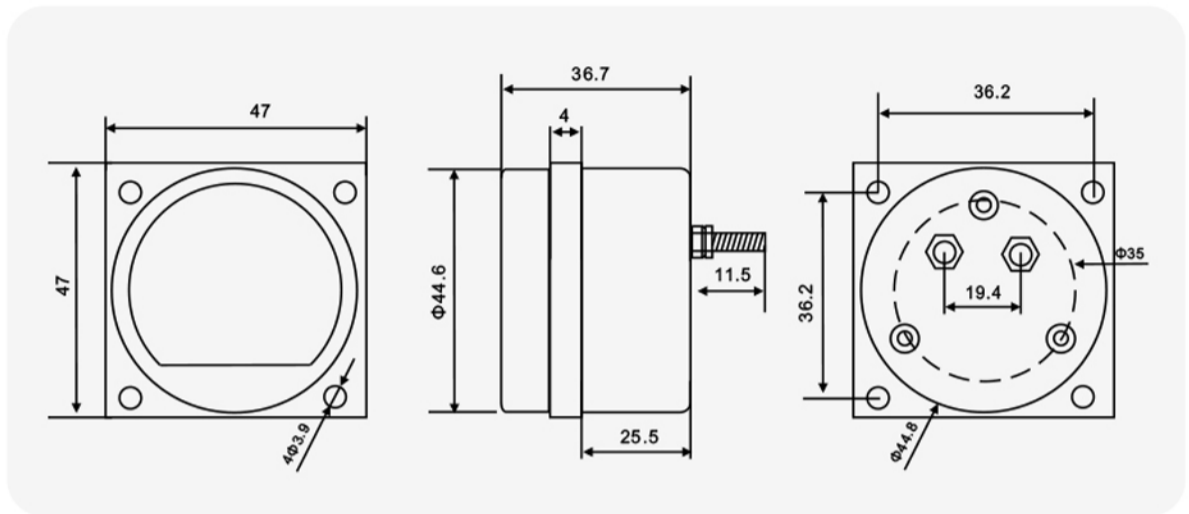


Technical Parameter

Model	Sensitivity ± 20%	Resistance ± 15%	Internal Illumination
VU115	500uA	650 Ω	DC 6V
VU100	500A	650 Ω	8V 50mA
VU42	0-1mA	260 Ω	8V 50mA

VU Meter Series

Picture & Size Drawing

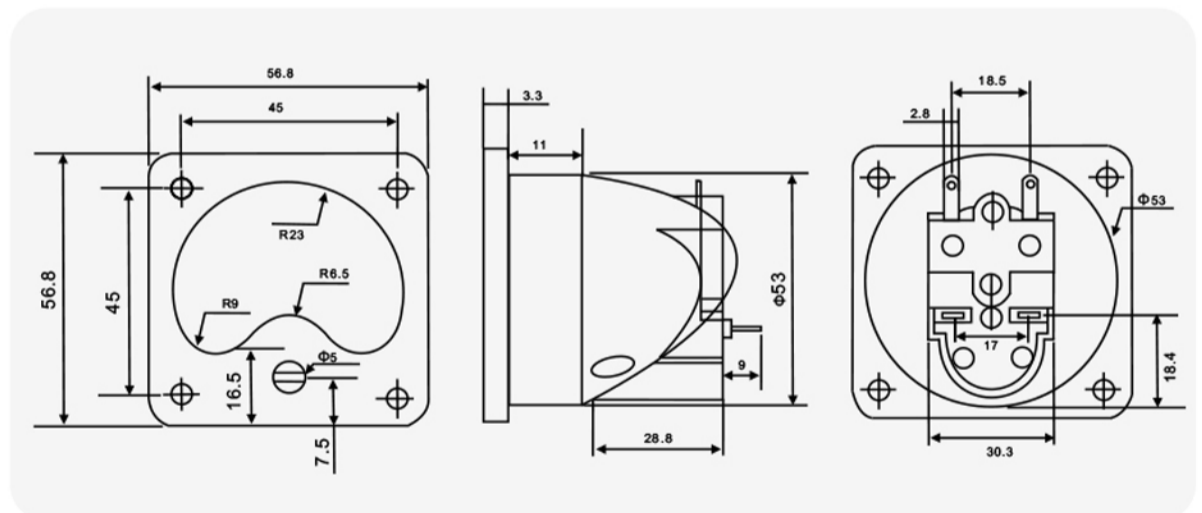
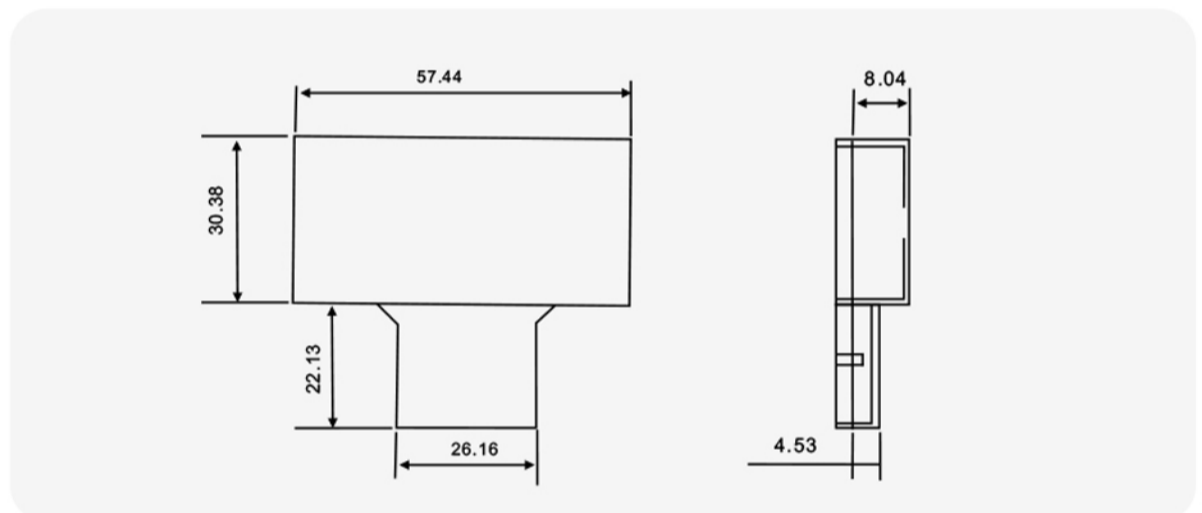
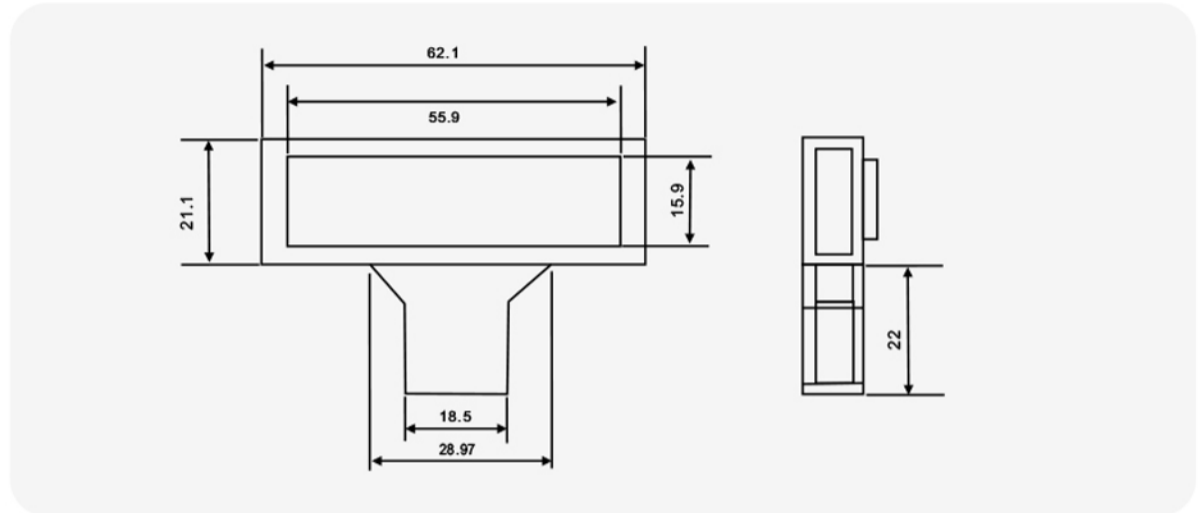


Technical Parameter

Model	Sensitivity ± 20%	Resistance ± 15%	Internal Illumination
VU47	500uA	650 Ω	DC 6V
VU80	240uA	3.9k Ω	AC/DC 9-12V
VU120	500uA	650 Ω	DC 6V

VU Meter Series

Picture & Size Drawing



Technical Parameter

Model	Sensitivity ± 20%	Resistance ± 15%	Internal Illumination
VU20	0-500uA	650 Ω	No(can be customized)
VU5730	0-500uA	650 Ω	AC/DC 24V DC3.2V ALARM
VU57	AC 0.775V ± 10%	650 Ω	DC 3.6-5.2V 20mA

Special Customized Meter Series



Name: Vehicle Power Supply Measuring Meter
Measuring range: AC 100-140V



Name: Car Refrigerator Meter
Measuring range: DC 10V/1mA



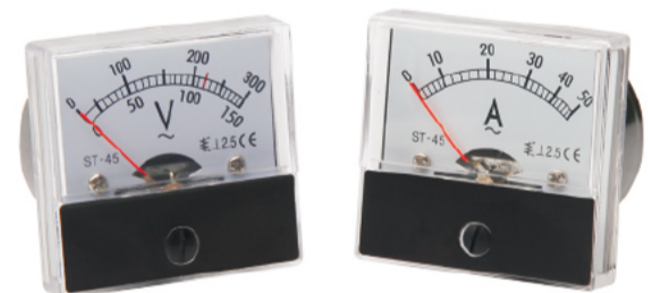
Name: Audio Frequency Measuring Meter
Measuring range: DC 1mA/500uA



Name: Battery Measuring Meter
Measuring range: DC 1mA/500uA



Name: Soil Testing Meter
Measuring range: DC -40~+250uA



Name: Stabilized Power Supply Meter
Measuring range: AC 300V/50A



Name: Metal Detecting Meter
Measuring range: DC 1mA/500uA



Name: Stabilized Power Supply Meter
Measuring range: AC 15V/300V