

## WALL MOUNTING STEEL ENCLOSURES SERIES



- Wall mount metal enclosures are made of cold rolled steel plate
- Exquisite workmanship, fully automatic pickling, phosphating and plastic spraying treatment, RAL7032 RAL 7035 are available.
- Special colors, sizes, and openings can be customized.
- CE and RoHs certification .

## XJBS-A Wall Mounting Steel Enclosures

XJBS-A wall mounting steel enclosures is made from sheet steel, designed to be assembled with various electrical components according to different control function requirements.



### Construction

#### Material

- Body: 1.2mm sheet steel till size XJBS-A 8060/20 then 1.5mm
- Mounting plate: 1.5mm sheet steel till size XJBS-A 8060/20 then 2.0mm
- Door: 1.2mm sheet steel size XJBS-A 8060/20 then 1.5mm

#### Surface finish

- Body and door: Epoxy polyester powder coating textured finish
- Mounting plate: Epoxy polyester powder coating flat finish

#### Color

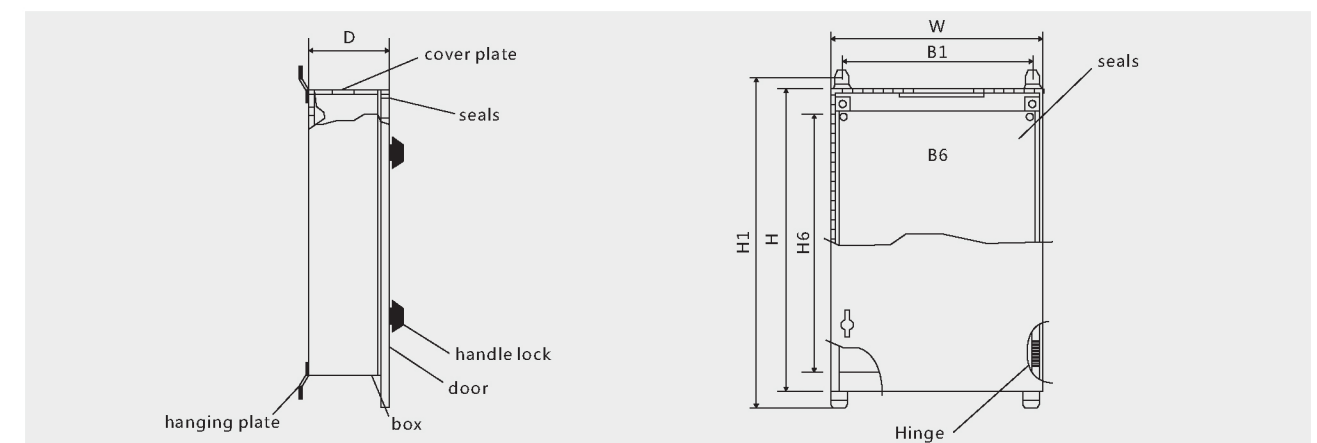
- Body and door: RAL7032 RAL7035
- Mounting plate: RAL 2000 OR galvanized steel
- Protection degree: IP 65
- Against mechanical impacts: IK10

### Feature

- Dust and Water proof: Using PU foam Sealing gasket inside to prevent dust and water
- Door opening angle: 120°by plugging hinges( reinforcing profile is aviable height from 600mm )
- 4 hanging holes in the back of the enclosures, installed by the wall mounting brackets which need ordered separately

### Supply

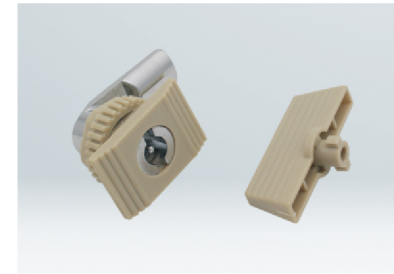
- Enclosure and door
- Mounting plate
- Lock system
- Gland plate, sealing gasket and fixing accessories



### Dimension

Mode	Size			Gland Plate Size	Mounting plate size		Mode	Size			Gland Plate Size	Mounting plate size	
	H(mm)	W(mm)	D(mm)		L	M		H(mm)	W(mm)	D(mm)		L	M
XJBS-A 2020/15	200	200	150	A	150	150	XJBS-A 6060/30	600	600	300	E	550	450
XJBS-A 2520/15	250	200	150	A	200	150	XJBS-A 7050/15	700	500	150	C	650	450
XJBS-A 3020/15	300	200	150	A	250	150	XJBS-A 7050/20	700	500	200	C	650	450
XJBS-A 3025/15	300	250	150	B	250	200	XJBS-A 7060/20	700	600	200	D	650	550
XJBS-A 3025/20	300	250	200	B	250	200	XJBS-A 7060/25	700	600	250	E	650	550
XJBS-A 3030/15	300	300	150	B	250	250	XJBS-A 7060/30	700	600	300	E	650	550
XJBS-A 3030/20	300	300	200	B	250	250	XJBS-A 8060/20	800	600	200	D	750	550
XJBS-A 3030/25	300	300	250	B	250	250	XJBS-A 8060/25	800	600	250	E	750	550
XJBS-A 4030/15	400	300	150	B	350	250	XJBS-A 8060/30	800	600	300	E	750	550
XJBS-A 4030/20	400	300	200	B	350	250	XJBS-A 8080/20	800	800	200	E	750	750
XJBS-A 4030/25	400	300	250	B	350	250	XJBS-A 8080/25	800	800	250	E	750	750
XJBS-A 4030/30	400	300	300	B	350	250	XJBS-A 8080/30	800	800	300	E	750	750
XJBS-A 4040/15	400	400	150	C	350	350	XJBS-A 10060/20	1000	600	200	D	950	550
XJBS-A 4040/20	400	400	200	C	350	350	XJBS-A 10060/25	1000	600	250	E	950	550
XJBS-A 4040/25	400	400	250	C	350	350	XJBS-A 10060/30	1000	600	300	E	950	550
XJBS-A 4040/30	400	400	300	C	350	350	XJBS-A 10070/20	1000	700	200	E	950	650
XJBS-A 5030/15	500	300	150	B	450	250	XJBS-A 10080/20	1000	800	200	F	950	750
XJBS-A 5030/20	500	300	200	B	450	250	XJBS-A 10080/25	1000	800	250	F	950	750
XJBS-A 5030/25	500	300	250	B	450	250	XJBS-A 10080/30	1000	800	300	F	950	750
XJBS-A 5040/15	500	400	150	C	450	350	XJBS-A 10080/40	1000	800	400	F	950	750
XJBS-A 5040/20	500	400	200	C	450	350	XJBS-A 100100/25	1000	1000	250	G	950	950
XJBS-A 5040/25	500	400	250	C	450	350	XJBS-A 100100/30	1000	1000	300	G	950	950
XJBS-A 5040/30	500	400	300	C	450	350	XJBS-A 12060/20	1200	600	200	D	1150	550
XJBS-A 5050/20	500	500	200	D	450	450	XJBS-A 12060/25	1200	600	250	D	1150	550
XJBS-A 5050/25	500	500	250	D	450	450	XJBS-A 12060/30	1200	600	300	D	1150	550
XJBS-A 5050/30	500	500	300	D	450	450	XJBS-A 12080/20	1200	800	200	F	1150	750
XJBS-A 6040/15	600	400	150	C	550	350	XJBS-A 12080/25	1200	800	250	F	1150	750
XJBS-A 6040/20	600	400	200	C	550	350	XJBS-A 12080/30	1200	800	300	F	1150	750
XJBS-A 6040/25	600	400	250	C	550	350	XJBS-A 12080/40	1200	800	400	F	1150	750
XJBS-A 6040/30	600	400	300	C	550	350	XJBS-A 120100/25	1200	1000	250	G	1150	950
XJBS-A 6050/15	600	500	150	D	550	450	XJBS-A 120100/30	1200	1000	300	G	1150	950
XJBS-A 6050/20	600	500	200	D	550	450	XJBS-A 120100/40	1200	1000	400	G	1150	950
XJBS-A 6050/25	600	500	250	D	550	450	XJBS-A 14060/30	1400	600	300	E	1350	550
XJBS-A 6050/30	600	500	300	D	550	450	XJBS-A 14080/30	1400	800	300	F	1350	750
XJBS-A 6060/15	600	600	150	C	550	550	XJBS-A 14080/40	1400	800	400	F	1350	750
XJBS-A 6060/20	600	600	200	D	550	550	XJBS-A 140100/30	1400	1000	300	G	1350	950
XJBS-A 6060/25	600	600	250	E	550	550	XJBS-A 140120/30	1400	1200	300	G	1350	1150

### Accessories of wall mount enclosures



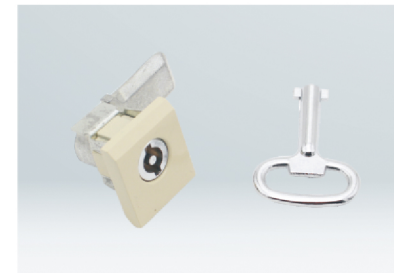
K-01



K-02



K-03, K-04



K-05



K-06



K-08



K-07



K-09



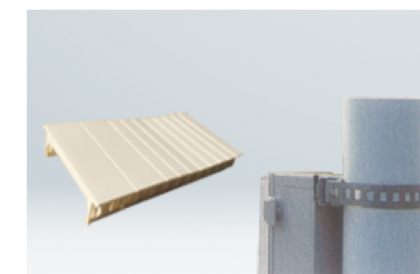
G-03



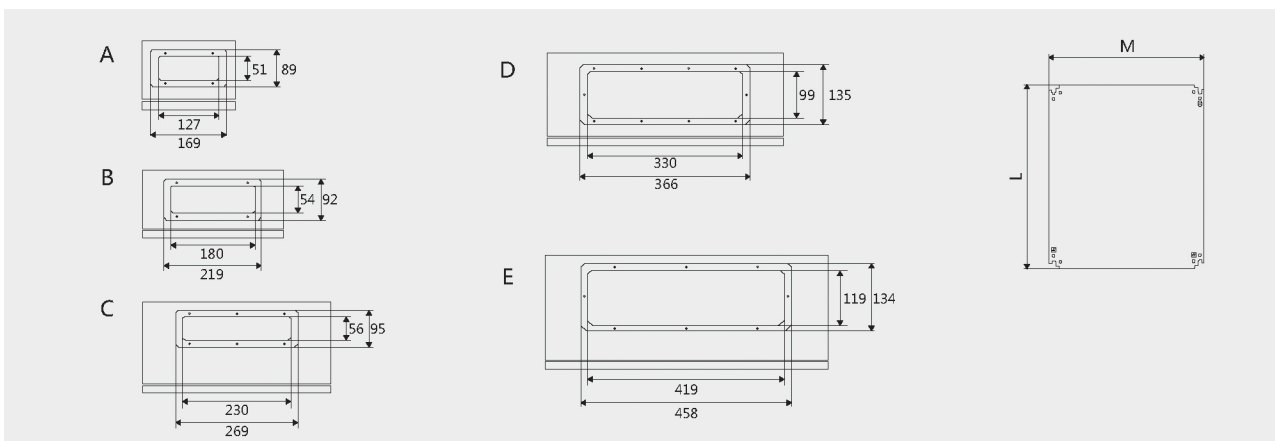
G-09 Handle  
G-02 Rings



G-01 Earth wire  
G-05 Door stop



G-07 Cover  
G-08 Upright post fixing



## XJBS-A-C Wall Mount Enclosures Chassis

XJBS-A-C wall mount enclosures chassis modular metal chassis is designed for large amount of accessories centralized install on the din rail to protection, command and signaling , exposed directly on the protective covers.



### Construction

#### Material

- 1.2mm sheet steel

#### Color

- RAL7032 RAL7035

#### Surface finish

- Epoxy polyester powder coating textured finish

#### Supply

- Interior door
- Vertical brackets
- Protective covers

- Snap nut
- Screw

### Detail parameter

Code of chassis	Dimension of the exterior enclosure box H(mm)×Width(mm)	No.Rows ×modules	Total modules	Code of chassis	Dimension of the exterior enclosure box H(mm)×Width(mm)	No.Rows ×modules	Total modules
XJBS-A-C1A 4030/20	400*300*200	1	12	XJBS-A-C1A 7050/20	700*500*200	1	22
XJBS-A-C1B 4030/20	400*300*200	2	24	XJBS-A-C1B 7050/20	700*500*200	2	44
XJBS-A-C1A 5040/20	500*400*200	1	16	XJBS-A-C1A 8060/25	800*600*250	1	27
XJBS-A-C1D 5040/20	500*400*200	2	32	XJBS-A-C1D 8060/25	800*600*250	2	54
XJBS-A-C1A 6050/20	600*500*200	1	22	XJBS-A-C1C 8060/25	800*600*250	3	81
XJBS-A-C1B 6050/20	600*500*200	2	44	XJBS-A-C1E 8060/25	800*600*250	4	108



XJBS-A-C2

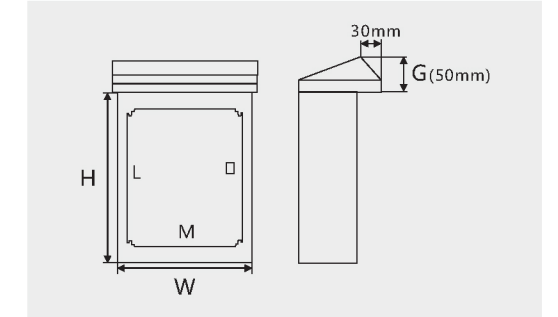


XJBS-A-C3



XJBS-A-C4

## XJBS-D outdoor steel enclosures



### Dimension

Size			Mode	Gland Plate Size	Mounting Plate Size		Size			Mode	Gland Plate Size	Mounting Plate Size	
H(mm)	W(mm)	D(mm)			L	M	H(mm)	W(mm)	D(mm)			L	M
300	200	150	XJBS-D 3020/15	A	250	150	700	500	250	XJBS-D 7050/25	D	650	450
300	300	300	XJBS-D 3030/30	B	250	250	800	500	200	XJBS-D 8050/20	D	750	450
400	300	150	XJBS-D 4030/15	B	350	250	800	500	250	XJBS-D 8050/25	D	750	450
400	300	200	XJBS-D 4030/20	B	350	250	800	600	250	XJBS-D 8060/25	D	750	450
500	400	200	XJBS-D 5040/20	C	450	350	1000	800	250	XJBS-D 10080/25	F	950	750
500	400	250	XJBS-D 5040/25	C	450	350	1000	800	300	XJBS-D 10080/30	F	950	750
600	400	200	XJBS-D 6040/20	C	550	350	1200	800	200	XJBS-D 12080/20	F	1150	750
600	500	250	XJBS-D 6050/25	C	550	450	1200	800	250	XJBS-D 12080/25	F	1150	750
600	500	300	XJBS-D 6050/30	D	550	450	1200	800	300	XJBS-D 12080/30	F	1150	750
700	500	200	XJBS-D 7050/20	D	650	450							

## XJBS-A-D wall mount steel enclosures with internal door



XJBS-A-D wall mount steel enclosures with internal door is safer designed for electrical components that cannot be exposed directly on the enclosure box. The inner door and accessories can be individually packed.

### Construction

#### Material

- 1.2mm sheet steel size XJBS-A-D 8060/25 then 1.5mm

#### Color

- RAL7032 RAL7035

#### Surface finish

- Epoxy polyester powder coating textured finish

#### Feature

- The fixed depth of the inner door can be adjust by user .

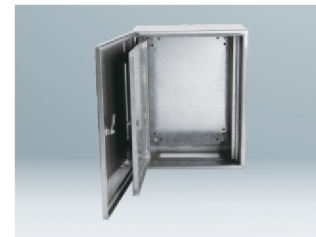
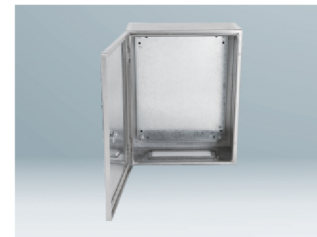
### Product model

Mode	Dimension			Mount plate size	
	H	W	D	H	W(mm)
XJBS-A-D 4030/20	400	300	200	350	250
XJBS-A-D 5040/20	500	400	200	450	350
XJBS-A-D 6040/20	600	400	200	550	350
XJBS-A-D 6050/20	600	500	200	550	350
XJBS-A-D 7050/20	700	500	200	650	450
XJBS-A-D 8060/25	800	600	250	750	550
XJBS-A-D 10060/30	1000	600	300	950	550
XJBS-A-D 12080/30	1200	800	300	1150	750
XJBS-A-D 14080/35	1400	800	350	1350	750

## XJSS Stainless Steel Wall Mount Enclosure / Waterproof distribution Box



Material:  
 Enclosure and door: AISI 304 or AISI 201Stainless Steel 1.2mm till size XJSS-808030 then 1.5mm  
 Mounting plate: galvanized steel 2.0mm  
 Hinge and lock: zinc alloy  
 Protection grade: IP65  
 Impact resistance: IK10  
 Supply Include:  
 Stainless steel enclosure and door  
 Mounting plate  
 Lock system  
 Gland plate  
 Sealing gasket and accessories



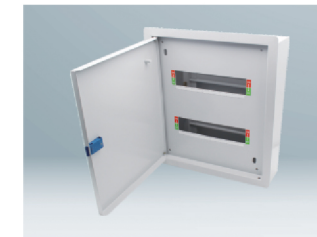
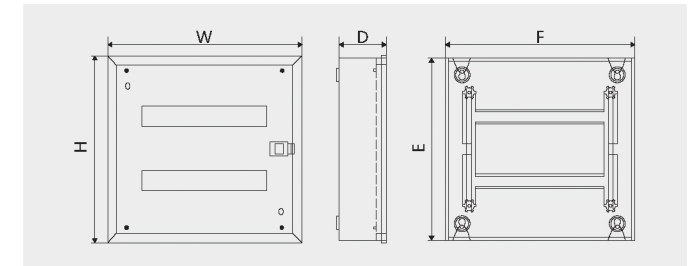
### Dimension

Model	H	W	D	Model	H	W	D
XJSS-202015	200	200	150	XJSS-606030	600	600	300
XJSS-302515	300	250	150	XJSS-608030	600	800	300
XJSS-302520	300	250	200	XJSS-705020	700	500	200
XJSS-303015	300	300	150	XJSS-705025	700	500	250
XJSS-303020	300	300	200	XJSS-806020	800	600	200
XJSS-304020	300	400	200	XJSS-806025	800	600	250
XJSS-403015	400	300	150	XJSS-806030	800	600	300
XJSS-403020	400	300	200	XJSS-806040	800	600	400
XJSS-404020	400	400	200	XJSS-808020	800	800	200
XJSS-406025	400	600	250	XJSS-808030	800	800	300
XJSS-406030	400	600	300	XJSS-8010030	800	1000	300
XJSS-504015	500	400	150	XJSS-1006025	1000	600	250
XJSS-504020	500	400	200	XJSS-1006030	1000	600	300
XJSS-504025	500	400	250	XJSS-1008025	1000	800	250
XJSS-505025	500	500	250	XJSS-1008030	1000	800	300
XJSS-604015	600	400	150	XJSS-1008040	1000	800	400
XJSS-604020	600	400	200	XJSS-10010030	1000	1000	300
XJSS-604025	600	400	250	XJSS-10012030	1000	1200	300
XJSS-605015	600	500	150	XJSS-1208030	1200	800	300
XJSS-605020	600	500	200	XJSS-1208040	1200	800	400
XJSS-605025	600	500	250	XJSS-12010030	1200	1000	300
XJSS-606025	600	600	250				

## XJBK-C Din-rail Modular Kit Distribution Box



Material: Cold rolled sheet steel  
 Thickness: Body 1.2mm  
 Color: RAL7032/Custom Color  
 Door Open Angle: 120°



### Dimension

Model	Type	Row	Way
Surface/Flush	Din-Rail	1,2,3,4,5,6	10,12,14,16,18,20

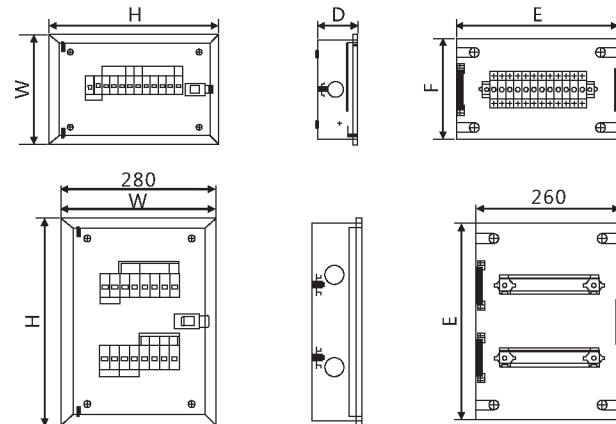
WAY	H	W	D	E	F
	Surface/Flush	Surface/Flush	Surface/Flush	Surface/Flush	Surface/Flush
1x16	285/295	451/461	115	275	441
2x16	435/445	451/461	115	425	441
3x16	585/595	451/461	115	575	441
4x16	735/745	451/461	115	725	441
5x16	885/895	451/461	115	875	441
6x16	1035/1045	451/461	115	1025	441

WAY	H	W	D	E	F
	Surface/Flush	Surface/Flush	Surface/Flush	Surface/Flush	Surface/Flush
1x12	285/295	379/389	115	275	369
2x12	435/445	379/389	115	425	369
3x12	585/595	379/389	115	575	369
4x12	735/745	379/389	115	725	369
5x12	885/895	379/389	115	875	369
6x12	1035/1045	379/389	115	1025	369

## XJBK-E Din-rail Modular Kit Distribution Box



Main Switch: 100A Isolator  
 Material: Cold rolled sheet steel  
 Thickness: Body 1.2mm  
           Floor plate 1.5mm  
           Copper Bar 2.5mm  
 Color: RAL7032/RAL2004/Custom Color  
 Door Open Angle: 120°



### Dimension

Model	Type	Row	Way
Surface/Flush	Din-Rail	1,2,3,4,5,6	10,12,14,16,18,20

WAY	H	W	D	E	F
	Surface/Flush	Surface/Flush	Surface/Flush	Surface/Flush	Surface/Flush
1x16	285/295	451/461	115	275	441
2x16	435/445	451/461	115	425	441
3x16	585/595	451/461	115	575	441
4x16	735/745	451/461	115	725	441
5x16	885/895	451/461	115	875	441
6x16	1035/1045	451/461	115	1025	441

WAY	H	W	D	E	F
	Surface/Flush	Surface/Flush	Surface/Flush	Surface/Flush	Surface/Flush
1x12	285/295	379/389	115	275	369
2x12	435/445	379/389	115	425	369
3x12	585/595	379/389	115	575	369
4x12	735/745	379/389	115	725	369
5x12	885/895	379/389	115	875	369
6x12	1035/1045	379/389	115	1025	369

## XJBK-A Triple-phase Din-rail Separation Type Control Distribution Box



Main Switch: 63A/100A Isolator/ELCB  
 Protection grade: IP45  
 Material: Cold rolled sheet steel  
 Thickness: Body 1.2mm  
           Floor plate 1.5mm  
           Copper bar 2.5mm  
 Color: RAL7032/RAL2004/custom color  
 Door opening angle: 180°



### Dimension

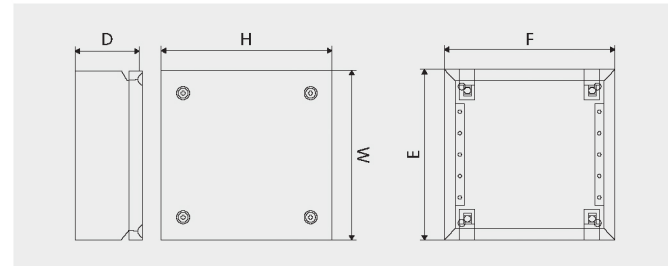
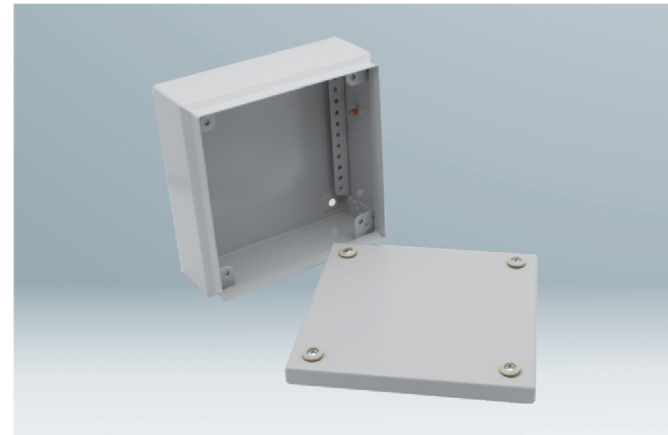
Model	Type	Phase	Way	Main switch
Surface/Flush	Din-rail	Triple	4,6,8,10,12	ELCB+Isolator

Surface model	H	W	D	E	F
2+2WAY	556	360	105	546	350
4+2WAY	610	360	105	600	350
4+4WAY	664	360	105	654	350
6+2WAY	664	360	105	654	350
6+4WAY	718	360	105	708	350
6+6WAY	772	360	105	762	350
8+2WAY	718	360	105	708	350
8+4WAY	772	360	105	762	350
8+6WAY	826	360	105	816	350
10+2WAY	772	360	105	762	350
10+4WAY	826	360	105	816	350
10+6WAY	880	360	105	870	350
12+2WAY	826	360	105	816	350
12+4WAY	880	360	105	870	350
12+6WAY	931	360	105	924	350

## XJBZ-A Waterproof Junction Box



Protection grade: IP65  
 Material: Cold rolled sheet steel  
 Thickness: Body 1.2mm  
 Color: RAL7035/Custom Colo



### Dimension

Model	H(mm)	W(mm)	D(mm)	Mounting plate	Model	H(mm)	W(mm)	D(mm)	Mounting plate
XJBZ-A15158	150	150	80	XJBZ-A1515	XJBZ-A40208	400	200	80	XJBZ-A4020
XJBZ-A151512	150	150	120	XJBZ-A1515	XJBZ-A402012	400	200	120	XJBZ-A4020
XJBZ-A20158	200	150	80	XJBZ-A2015	XJBZ-A403012	400	300	120	XJBZ-A4030
XJBZ-A201512	200	150	120	XJBZ-A2015	XJBZ-A404012	400	400	120	XJBZ-A4040
XJBZ-A20208	200	200	80	XJBZ-A2020	XJBZ-A502012	500	200	120	XJBZ-A5020
XJBZ-A202012	200	200	120	XJBZ-A2020	XJBZ-A503012	500	300	120	XJBZ-A5030
XJBZ-A30158	300	150	80	XJBZ-A3015	XJBZ-A60208	600	200	80	XJBZ-A6020
XJBZ-A301512	300	150	120	XJBZ-A3015	XJBZ-A602012	600	200	120	XJBZ-A6020
XJBZ-A30208	300	200	80	XJBZ-A3020	XJBZ-A603012	600	300	120	XJBZ-A6030
XJBZ-A302012	300	200	120	XJBZ-A3020	XJBZ-A604012	600	400	120	XJBZ-A6040
XJBZ-A303012	300	300	120	XJBZ-A3030	XJBZ-A802012	800	200	120	XJBZ-A8020
XJBZ-A401512	400	150	120	XJBZ-A4015	XJBZ-A804012	800	400	120	XJBZ-A8040



## XJBH Floor Standing Cabinet

XJBH Floor Standing Cabinet can not detachable, the body is bent from a complete sheet steel. Back plate is welded onto a flanged rear profile for higher protection.



### Construction

#### Material

- Body : 1.5mm sheet steel
- Mounting plate : 2.0mm sheet steel
- Door :2.0mm sheet steel
- Protection degree:IP 55
- Against mechanical impacts: Ik10

#### Surface finish

- Body and door :Epoxy polyester powder coating textured finish
- Mounting plate: Epoxy polyester powder coating flat finish

#### Color

- Body and door :RAL7032 RAL7035
- Mounting plate: RAL 2000 OR galvanized steel

### Supply

- Enclosures body
- Door with locking system and hinges
- Mounting plate
- Fixing Accessories
- Bottom with removable cables entry
- 4 lifting eyebolts
- Plinth to be offered separately



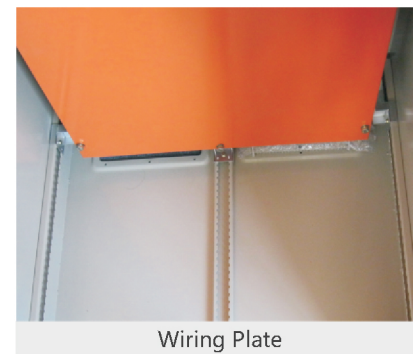
Mounting Plate Fixing



Reinforcing Bar



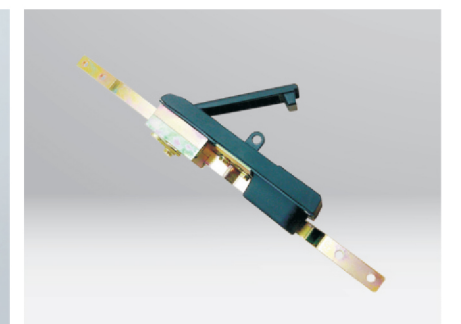
Hinge



Wiring Plate

### Dimension

MODE	Height(mm)	Width(mm)	Depth(mm)	No. Of Doors	MODE	Height(mm)	Width(mm)	Depth(mm)	No. Of Doors
XJBH1010/30	1000	1000	300	2	XJBH188/50	1800	800	500	1
XJBH88/30	800	800	300	1	XJBH188/60	1800	800	600	1
XJBH128/30	1200	800	300	1	XJBH1810/60	1800	1000	400	2
XJBH1210/30	1200	1000	300	2	XJBH1810/50	1800	1000	500	2
XJBH1212/40	1200	1200	400	2	XJBH1812/40	1800	1200	400	2
XJBH1460/30	1400	600	300	1	XJBH1812/50	1800	1200	500	2
XJBH1460/40	1400	600	400	1	XJBH1816/40	1800	1600	400	2
XJBH1480/30	1400	800	300	1	XJBH1816/50	1800	1600	500	2
XJBH1480/40	1400	800	400	1	XJBH206/30	2000	600	300	1
XJBH1410/40	1400	1000	400	2	XJBH206/40	2000	600	400	1
XJBH1412/40	1400	1200	400	2	XJBH208/30	2000	800	300	1
XJBH1660/30	1600	600	300	1	XJBH208/40	2000	800	400	1
XJBH1660/40	1600	600	400	1	XJBH208/50	2000	800	500	1
XJBH168/30	1600	800	300	1	XJBH208/60	2000	800	600	1
XJBH168/40	1600	800	400	1	XJBH2010/40	2000	1000	400	2
XJBH1610/30	1600	1000	300	2	XJBH2010/50	2000	1000	500	2
XJBH1610/40	1600	1000	400	2	XJBH2012/40	2000	1200	400	2
XJBH1612/30	1600	1200	300	2	XJBH2012/50	2000	1200	500	2
XJBH1612/40	1600	1200	400	2	XJBH2012/60	2000	1200	600	2
XJBH186/30	1800	600	300	1	XJBH2016/40	2000	1600	400	2
XJBH186/40	1800	600	400	1	XJBH2016/50	2000	1600	500	2
XJBH188/30	1800	800	300	1	XJBH2016/60	2000	1600	600	2
XJBH188/40	1800	800	400	1					



## XJBW Knock Down Cabinet



### Construction

#### Material

- Body: 1.5mm sheet steel
- Mounting plate: 2mm sheet steel
- Door: 2.0mm sheet steel

#### Surface finish

- Body and door: Epoxy polyester powder coating textured finish
- Mounting plate: Epoxy polyester powder coating flat finish

#### Color

- Body and door :RAL7032 RAL7035
- Mounting plate: RAL 2000 OR galvanized steel

### Supply

The vertical upright column comprises hinge, lock elements , side fixing block and areall installed.

Welded top

Welded base

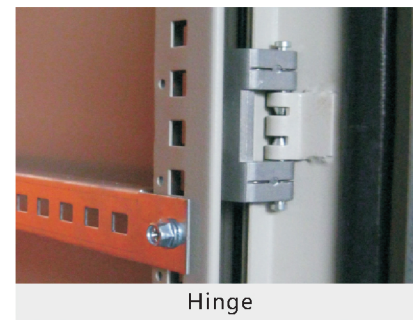
Mounting plate slide rail

Mounting plate mounting bracket

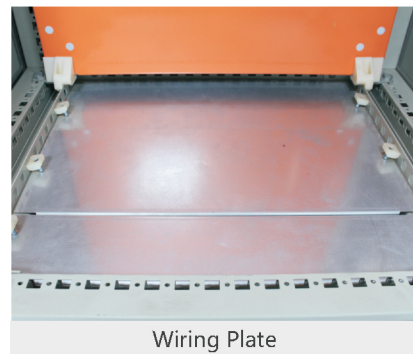
Ordinary door with lock

Ordinary back panel

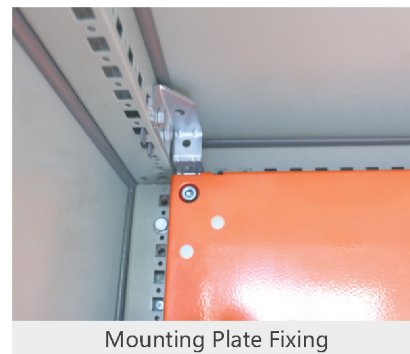
Side panel: 2 pieces side panels with accessories



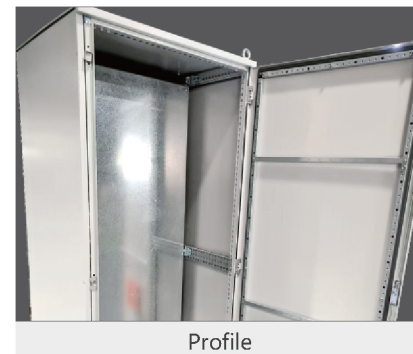
Hinge



Wiring Plate



Mounting Plate Fixing



Profile

### Dimension

Mode	Height(mm)	Width(mm)	Depth(mm)	No. Of Doors	Mode	Height(mm)	Width(mm)	Depth(mm)	No. Of Doors
XJBW 12060/40	1200	600	400	1	XJBW 180120/50	1800	1200	500	2
XJBW 12060/60	1200	600	600	1	XJBW 180120/60	1800	1200	600	2
XJBW 12060/80	1200	600	800	1	XJBW 20060/40	2000	600	400	1
XJBW 12080/40	1200	800	400	1	XJBW 20060/50	2000	600	500	1
XJBW 12080/60	1200	800	600	1	XJBW 20060/60	2000	600	600	1
XJBW 12080/80	1200	800	800	1	XJBW 20060/80	2000	600	800	1
XJBW 14060/40	1400	600	400	1	XJBW 20080/40	2000	800	400	1
XJBW 14060/60	1400	600	600	1	XJBW 20080/50	2000	800	500	1
XJBW 14060/80	1400	600	800	1	XJBW 20080/60	2000	800	600	1
XJBW 14080/60	1400	800	600	2	XJBW 20080/80	2000	800	800	1
XJBW 14080/80	1400	800	800	1	XJBW 200100/40	2000	1000	400	2
XJBW 16060/60	1600	600	600	1	XJBW 200100/50	2000	1000	500	2
XJBW 16060/80	1600	600	800	1	XJBW 200100/60	2000	1000	600	2
XJBW 16080/60	1600	800	600	1	XJBW 200100/80	2000	1000	800	2
XJBW 16080/80	1600	800	800	1	XJBW 200120/40	2000	1200	400	2
XJBW 18060/40	1800	600	400	1	XJBW 200120/50	2000	1200	500	2
XJBW 18060/50	1800	600	500	1	XJBW 200120/60	2000	1200	600	2
XJBW 18060/60	1800	600	600	1	XJBW 200120/80	2000	1200	800	2
XJBW 18060/80	1800	600	800	1	XJBW 22060/60	2200	600	600	1
XJBW 18080/40	1800	800	400	1	XJBW 22060/80	2200	600	800	1
XJBW 18080/50	1800	800	500	1	XJBW 22080/60	2200	800	600	1
XJBW 18080/60	1800	800	600	1	XJBW 22080/80	2200	800	800	1
XJBW 180100/40	1800	1000	400	2	XJBW 220100/60	2200	1000	600	2
XJBW 180100/50	1800	1000	500	2	XJBW 220100/80	2200	1000	800	2
XJBW 180100/60	1800	1000	600	2	XJBW 220120/60	2200	1200	600	2
XJBW 180120/40	1800	1200	400	2	XJBW 220120/80	2200	1200	800	2

