

5101 LED LED/STROBE



5102 LED LED/STROBE



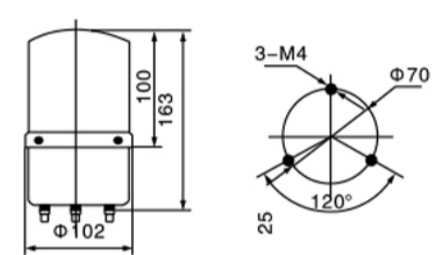
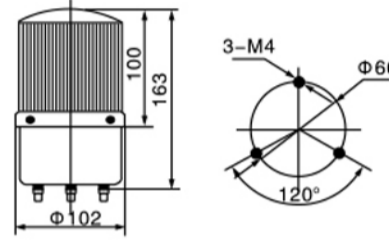
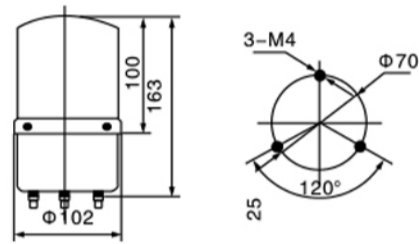
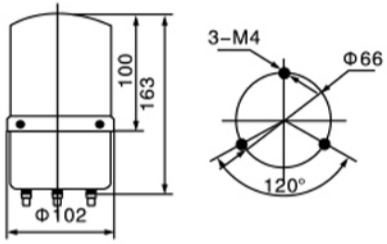
5103 LED LED/STROBE



5104 LED LED/STROBE



OUTER SIZE



1101, 1102, 1103, 1104

Model	Voltage	Lightpower	Color
LTE	DC12V	5W	<div style="display: inline-block; width: 10px; height: 10px; background-color: red; border: 1px solid black;"></div> -R <div style="display: inline-block; width: 10px; height: 10px; background-color: yellow; border: 1px solid black;"></div> -A <div style="display: inline-block; width: 10px; height: 10px; background-color: green; border: 1px solid black;"></div> -G <div style="display: inline-block; width: 10px; height: 10px; background-color: blue; border: 1px solid black;"></div> -B
LTE...-J	DC24V		
LTD	AC110V		
LTD...-J	AC220V		

- ◆ 85dB
- ◆ -AS, ABS
- ◆ IP45

1121 BULB/REVOLVING



1161 BULB/REVOLVING



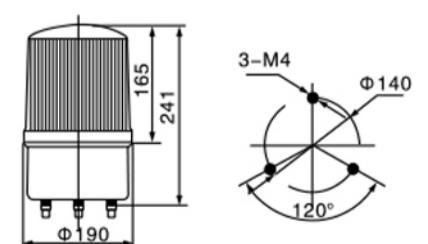
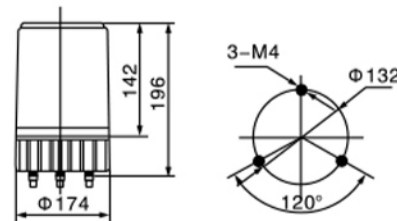
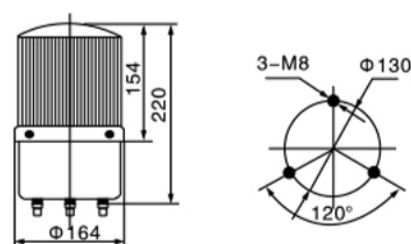
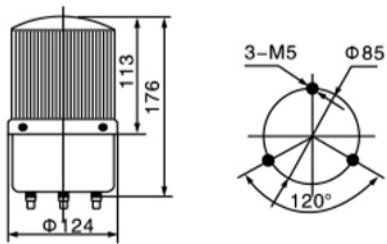
1181 BULB/REVOLVING



1191 BULB/REVOLVING



OUTER SIZE

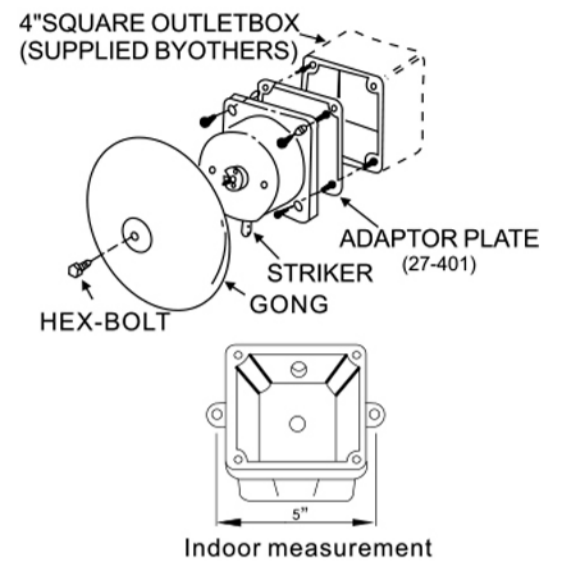


1121, 1161, 1181, 1191

Model	Voltage	Lightpower	Color
LTE	DC12V	35W	<div style="display: inline-block; width: 10px; height: 10px; background-color: red; border: 1px solid black;"></div> -R <div style="display: inline-block; width: 10px; height: 10px; background-color: yellow; border: 1px solid black;"></div> -A <div style="display: inline-block; width: 10px; height: 10px; background-color: green; border: 1px solid black;"></div> -G <div style="display: inline-block; width: 10px; height: 10px; background-color: blue; border: 1px solid black;"></div> -B
LTE...-J	DC24V		
LTD	AC110V		
LTD...-J	AC220V		

- ◆ 90-130RPM
- ◆ AS, ABS, PC
- ◆ IP45

Alarm bell



Model	Rating	Volume(dB)	Weight(g)	Voltage
CB-4B	φ 100m	85	350	DC 6V 12V 24V AC 110V 230V 240V
CB-6B	φ 150m	95	900	
CB-8B	φ 200m	97	1300	
CB-10B	φ 250m	100	1450	

Fire alarm bell



Model	Size	(mm) Dia(mm)	(≤mA) Current	(VA) Power(VA)
XH-B1 (55~300) mm	2	φ 55	50	8
	3	φ 75	80	10
	4	φ 100	97	22
	6	φ 150	100	25
	8	φ 200	105	25
	10	φ 250	125	30
	12	φ 300	150	35

Fire electric bell



Model	Size	(mm) Dia(mm)	(≤mA) Current	(VA) Power(VA)
XH-B1-T (100~250mm)	4	φ 100	97	22
	6	φ 150	100	25
	8	φ 200	105	25
	10	φ 250	125	30

Alarm bell



CB-6PG(150mm)DC12-24V

Dynamo fire bell



CB-F8

Fire alarm fire button campaign series



FIRE-01



FIRE-02



FIRE-05



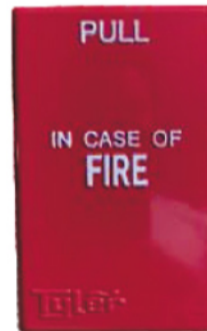
FIRE-06



FIRE-07



FIRE-08



FIRE-1011



FIRE-1012



FIRE-1013



FIRE-1014



SFAN-1A

1、 This button is a kind of specialism conflagration set used for artificial start in the system of selfmotion conflagertion. Eyewitness only need to broke face-plate glass of conflagration button in strength. Then can make conflagration signal sending to the controller and give out the part of conflagration. At one time, can use to start of conflagration. At one time, can use to start conflagration equipment of message in dicator, alarm bells straightly, etc.

2、 Main technology target, install and connection, next picture.

Voltage	Max current	Contactior risistance	Working Temp
220V AC50Hz 24VDC	5A 220VAC 50Hz 8A 24VDC	≤0.1Ω	Temp: -10~+50°C Max: Relative Humidity: ≤93±2%

Fire sound and light alarm



XH-QG-1



XH-QG-2



XH-QG-3



XH-QG-5



XH-QG-6

Item	Model	XH-QG-1	XH-QG-2	XH-QG-3	XH-QG-5	XH-QG-6
Working Temp	Relative humidity	-10~±55℃ ≤95%RH			-10~±55℃ ≤95%RH	
Voltage		DC12~DC30V	DC12~DC30V	DC12V	DC20~DC30V、AC220V	
Working Current (average)		95mA			95mA	
Flash Intensity		≥1.2WS			≥1.2WS	
Flash Cycle		<2.0S			<2.0S	
Max Warning Volume		≥100dB			≥100dB	
Flasher Life		≥30000Times			≥30000Times	
Warning Tones Resource		Police car 消防声 Fire Ambulance			Police car 消防声 Fire Ambulance	
Size(mm)		160X117X63	133X114X48	122X72X43	141X90X63	141X125X63

Smoke alarm



YW01



YW02



YW03



YW04



YW05



YW06



YW07 (联网)



YW08 (M1N1)
10 Years Battery

Working current:

Static current: ≤10 μA

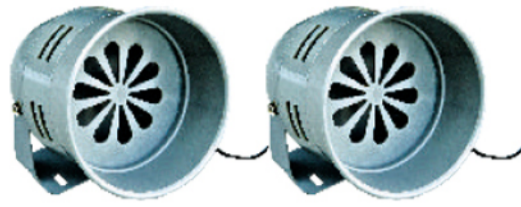
Alarm current: ≤12mA

Operating Voltage: DC9V

Audio Alarm: ≥85dB

Temp. Range: 14°F(-10°C) to 147°F(60 °C)

Humidity Range: ≤95%RH(40±2°C)

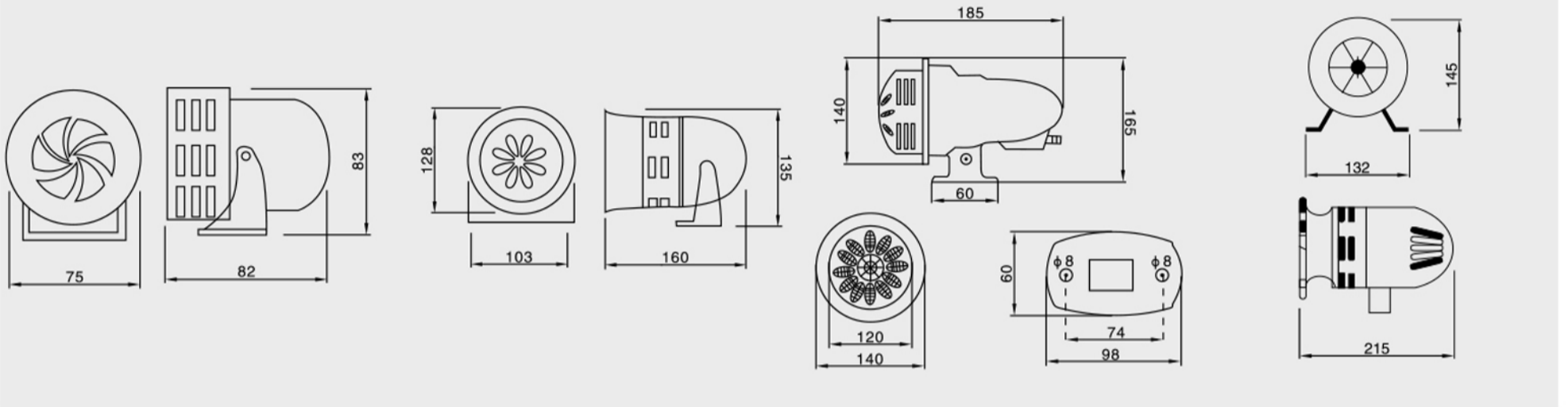


MS-190
DC12,24V,AC110V,220V

MS-290
DC12,24V,AC110V,220V

MS-390P
AC 110V/220-240V

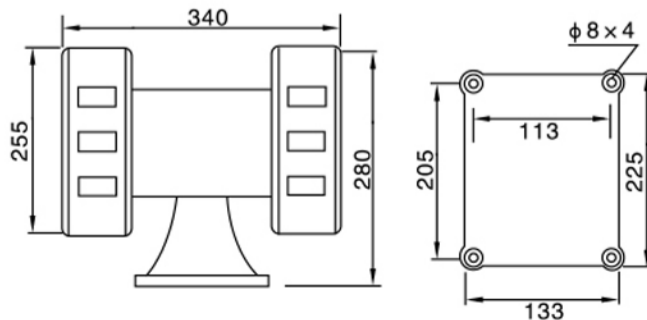
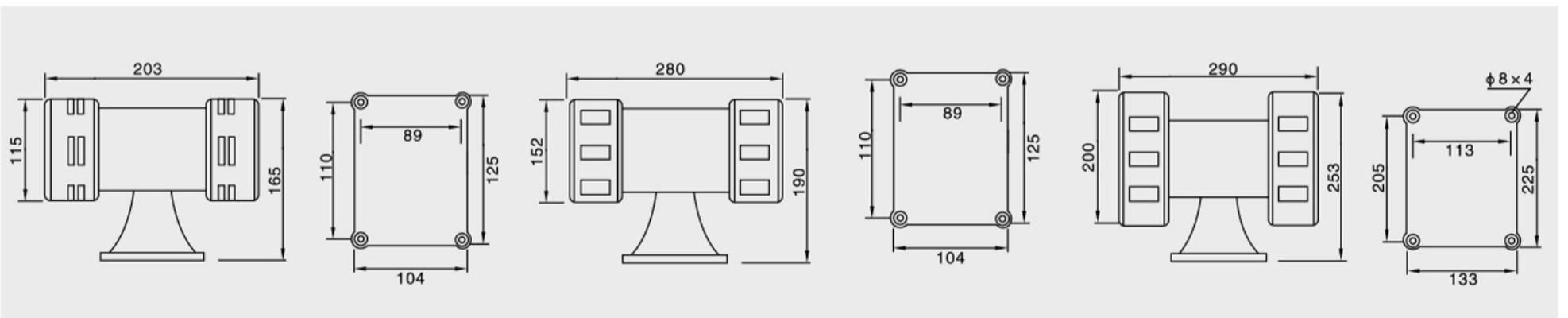
MS-390
DC12,24V,AC110,220V



MS-490
(V): AC110,230V
分贝(dB):120 (Hz):1000/1050

MS-590
(V): AC110,230V
(dB):123 (Hz):700/760

MS-690
(V): AC110,230V
(dB):126 (Hz):530/580



MS-790

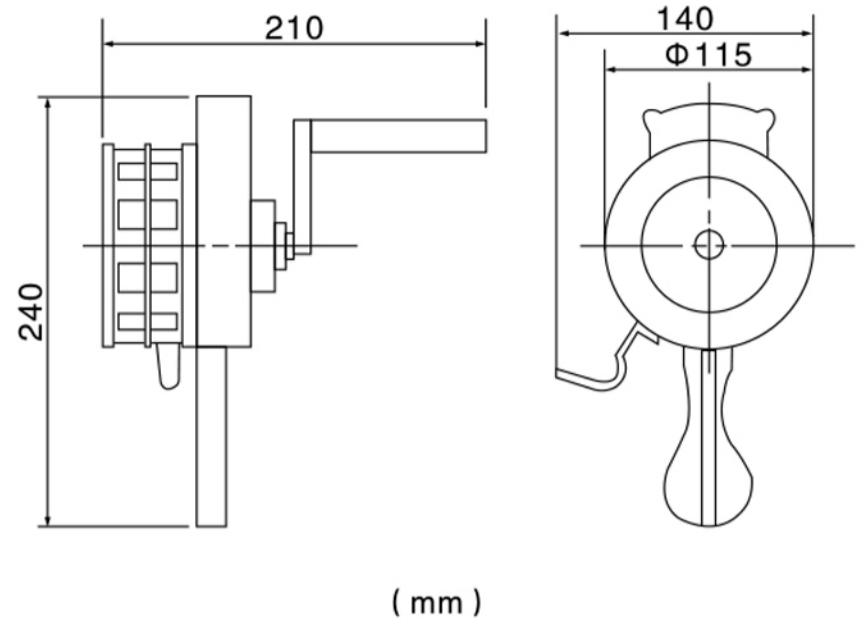
(V): AC110,230V
(dB):130 (Hz):530/580



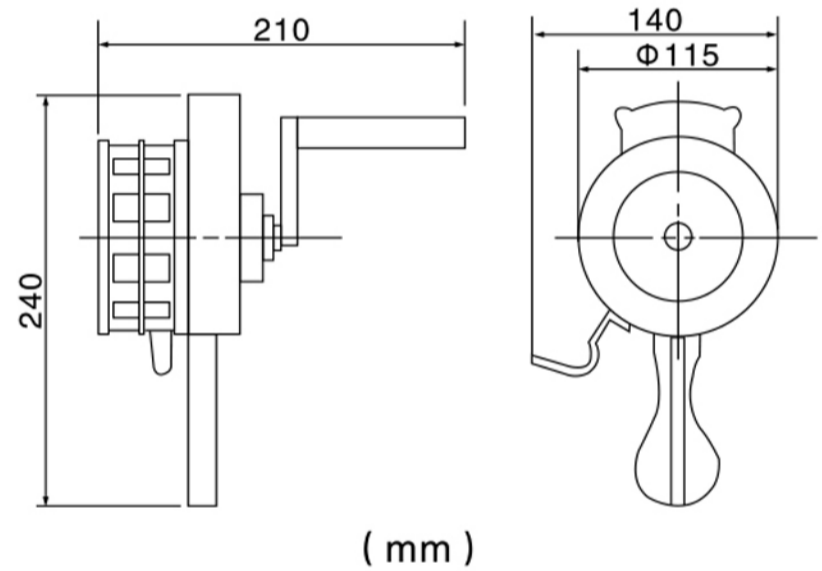
BJ-1060

BJ-1080

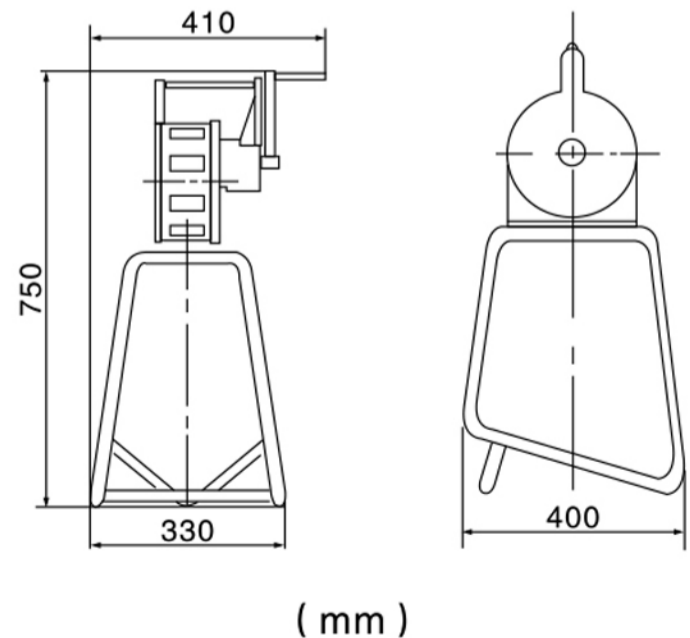
BJ10100



Model	LK-100	LK-100A	LK-100B	
Sound Rating	Output Frequency	Net Weight	Packing Size	Material
110±2dB (A) @1m	550±20Hz	1.2kg	15.5×14.5×16cm	mainly made of aluminum alloy



Model	LK-100P			
Sound Rating	Output Frequency	Net Weight	Packing Size	Material
110±2dB (A) @1m	550±20Hz	0.6kg	15.5×14.5×16cm	mainly made of durable ABS piastic



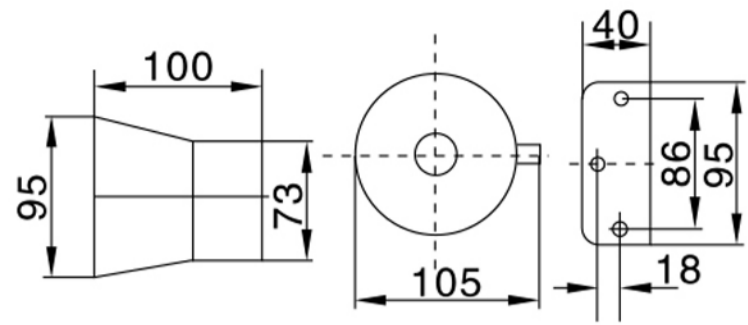
Model	LK-120	LK-120A	LK-120B	
Sound Rating	Output Frequency	Net Weight	Packing Size	Material
120±2dB (A) @1m	600±20Hz	9kg	45×37×58cm	mainly made of aluminum alloy



BJ-1097
DC12V、24V、AC220V



BJ-1096
DC12V



Warning, Fire, Police

Electronic alarm



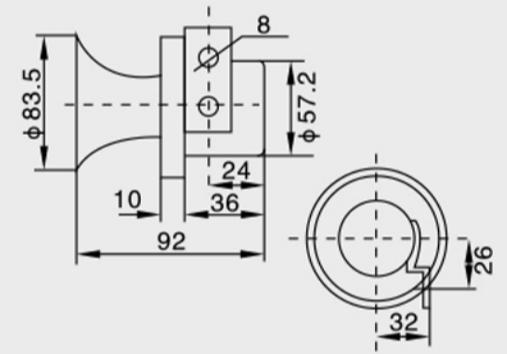
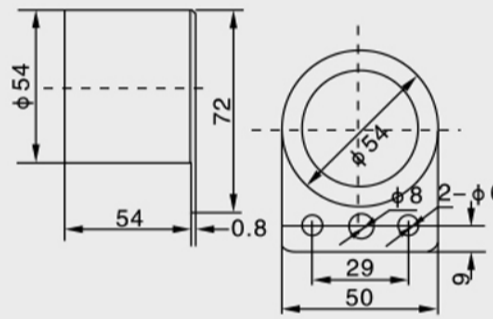
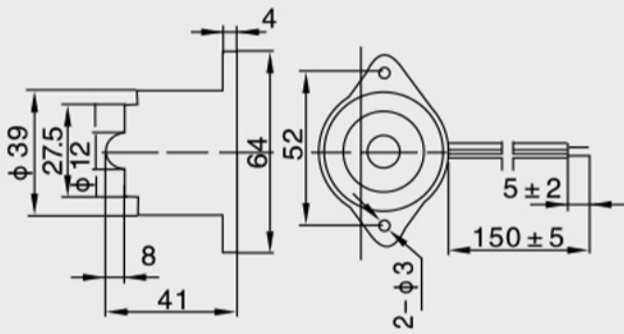
BJ-1099
DC12V、24V、AC220V



BJ-1
DC12V、24V、AC220V



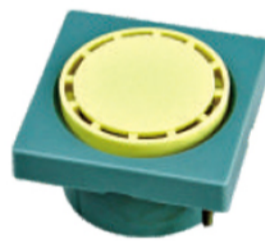
BJ-2(SA-80)
DC12V、24 AC220V



With Siren Sound



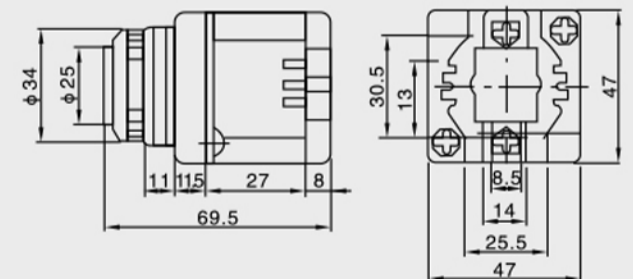
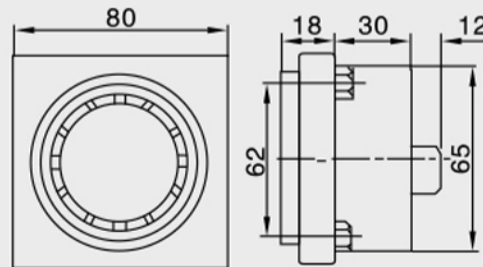
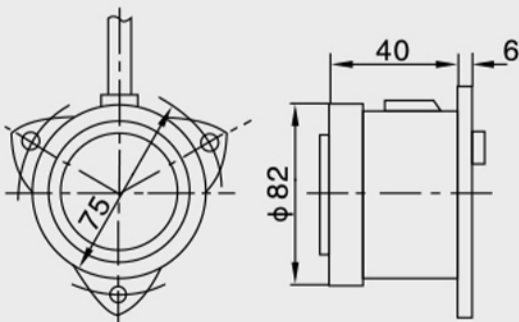
HRB-P75(CBZ-10,FM-2)



HRB-P80(CBZ-20,FM-1)



HRB-60(CBZ-30,FM-3)



Model	HRB-P75(CBZ-10,FM-2)	HRB-P80(CBZ-20,FM-1)	HRB-60(CBZ-30,FM-3)
Voltage	DC12,24V,AC110,220V	DC12,24V,AC110,220V	DC12,24V,AC110,220V
Mounting method	bolt install	implant install	implant install
Decibel	75-80dB	75-80dB	75-80dB

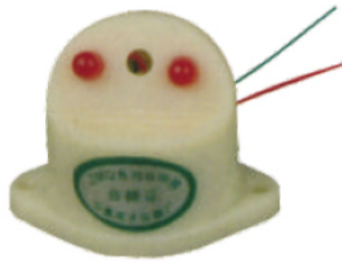
With Siren Sound



AD16
DC12V、24V、
AC220V



ZMQ-2724
AC220V、
DC6~15V/24V



ZMQ-2737
DC12V/24V



ZMQ-3522
AC220V、
DC6~15V/24V



ZMQ-3545
AC220V、
DC6~15V/24V

Speaker



ML-20



BJ-30



BJ-60



CDYS-507

DC12V



CDYS-508

DC12V

Magaphone



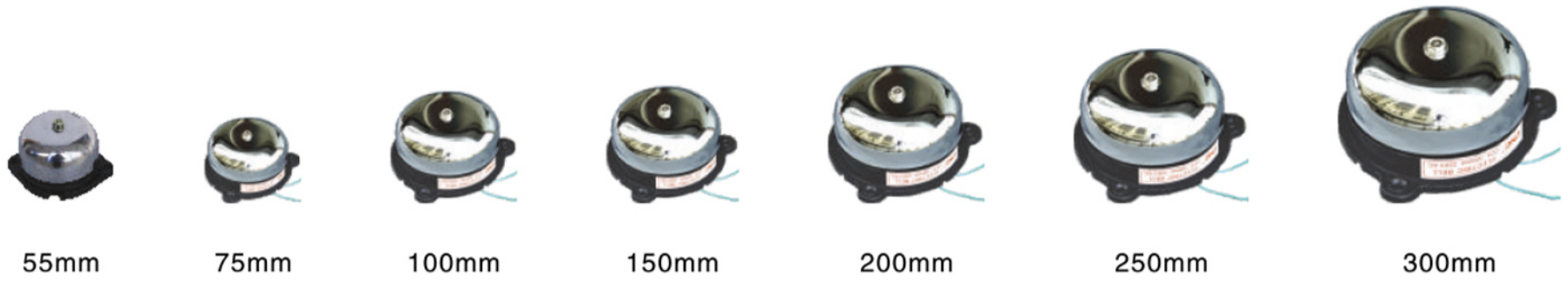
MH-3



MH-5

Model	MH-3	MH-5
Function	Vociferance;music	Vociferance;alarm;megaphone
Size	150×250mm	150×250mm
Voltage	DC 6V	DC 3.7V
Power	20W	15W

Bell series



UC4-(55~300mm)

Model	UC4-(55~300mm)						
Inch	2	3	4	6	8	10	12
Diameter(mm)	55	75	100	150	200	250	300
Current(≤mA)	50	80	97	100	105	125	150
Power(VA)	8	10	22	25	25	30	35



SCF-(75~300mm)

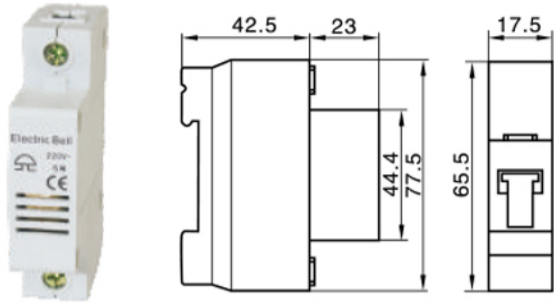
Model	SCF-(75~300mm)						
Inch	3	4	5	6	8	10	12
Diameter(mm)	75	100	125	150	200	250	300
Current(≤mA)	70	97	98	100	105	125	150
Power(VA)	15	18	20	22	25	30	35



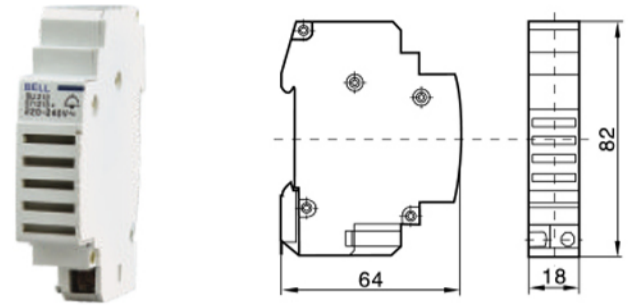
SHF-(100~300mm)

Model	SHF-(100~300mm)					
Inch	4	5	6	8	10	12
Diameter(mm)	100	125	150	200	250	300
Current(≤mA)	95	98	110	160	220	270
Power(VA)	20	22	25	35	50	60

Door Bell, Bell



C45-DL



UC6(SU213)



UC5-(75)-70



按铃



(Call Bell)
UC60

Remote control bell, bell



WX-150



AC220V
≤200
315MHz
≤30W
4、6、8、10、12



(Music bell)
UC8-12V/220V

60W, 30W



LC208, LC3085

LC208: 25
LC3085: Mp3
≤10W
0-95dB
AC220V,DC12V 260×185×120mm

Door Bell



DB1



DB2



DB3



DB4



DB6



DB8

Time/light/rain switch rail type



Micro computer time/light/rain controller



Rail type double controller



Rail type rail controller

Time Range	Voltage	Work Temperature	Capacity	No.s of programed	Battery	Power Dissipation	Defective	Mount way	Weight	Size
Week/day periodically work 1M-168H	AC220V/50Hz	-20°C ~ 60°C	25A	16 (8) group/day	No.5	≤5W	≤2	Wall hanging	450g	126×88×51mm
	Or other voltage				15 Battery charged can maintain counting 15 days			Rail or wall hanging	175g	50×100×74mm

Water level controller



Function

This product have the functions of up/down tank combined controle, auto lackwater protection, prevent the water leve from being too high or too low is on idea industry, familyuse machine, suntable for piont, chemical food, drink, sugarmaking etc.

SW-01
Water level controller SW-01

Size	Weight	6A Laod 6A		
126×88×51mm	350g	DF-96A	DF-96B	DF-96C
		220V/5A	220V/10A	380V/10A

Time control switch



KG-316T
KG-316T-2-3



TB-10



ZLT16



TB-125YG



THC15A



KG-316

Time Range	Voltage	Work Temperature	Capacity	No.s of programed	Battery	Power Dissipation	Defective	Mount way
168 Week/day periodically work 1M-168H	AC220V/50Hz Or other voltage	-20°C ~ 60°C	20A	10 group/day	No.5	≤5W	≤2	Rail or wall hanging

Computer ringing instruments



ZYT08
AC220V/50Hz



KZ-20



KZ168(KG-3022T)



KZ-898A 220V
KZ-898A(A, C bell included)



KZ-898H 220V12V
KZ-898H AC/DC fully auto chang over bell
220V 12V



KZ-898Y

Technical data		Computer ringing instruments			
Model	KZ-20	KZ168(KG-3022T) 220V	KZ-898A 220V KZ-898A(A, C bell included)	KZ-898H 220V12V KZ-898H AC/DC fully auto chang over bell 220V 12V	KZ-898Y
Acurrate	—	<0.5 Day<0.5S	—	—	—
Program ranage	—	24H	—	—	—
Input rings	Single bell 20 times Double bell 40 times	≤80 times	input percentage for/ the official ringsand no-offical rings is unlimited	input percentage for/ the official ringsand no-offical rings is unlimited	input percentage for/ the official rings and no-offical rings is unlimited
Ring time	1-99 1-99S	1-99 1-99S	official ring (long ring) 20s no-offical ring(short ring) 4S-1S-4S	official ring (long ring) 20s no-offical ring(short ring) 4S-1S-4S	official ring (long ring) 20s no-offical ring(short ring)4S-1S-4S
Off power protection	—	three months one time	—	—	—
A, CV	—	~160V&~240V	~180V&240V	~180V&240V	~180V&240V
Power	—	<1 <1KW	—	—	—
Load	—	~220V5A (10) ~220V5A(10 bell)	~220V5A	~220V5A	~220V5A 8-16 Ω
Life	—	≥100000H	—	—	—
Size	—	200X70X180mm	—	—	—
Indicator	—	—	official is long ring no-offical is spark over	official is long ring no-offical is spark over	official is long ring no-offical is spark over

Electric whistle cabinet lighting

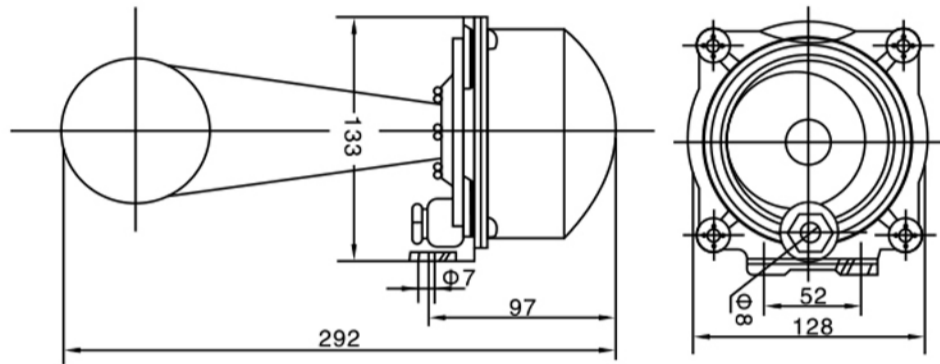


DDJ1 DDZ1

DDJ1	50 60	36,110,127,24,220, 380,48	90	40
DDZ1		24,48,110,220	90	20



DDKB



Fiveproff bell



BDL-125



XELB-36/127V
(Grey/small)



BAL36/127V
(Grey/big)

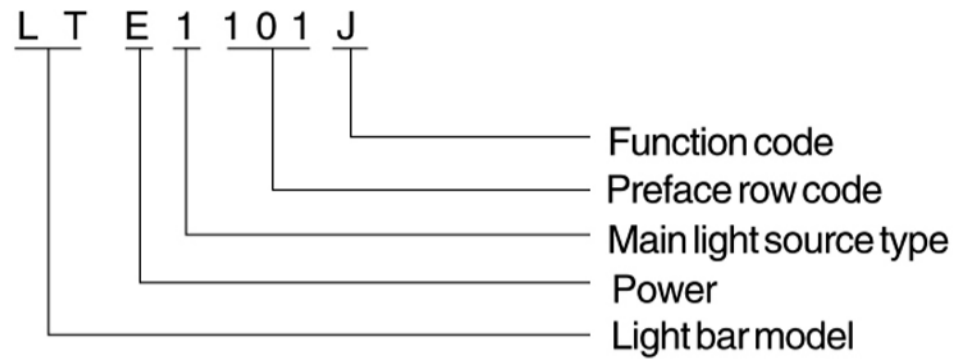


XBH36/127V
(Light/sound bellBAL2G)
(36V、127V、220V)

The series electric-bell is used under the coal mine which is full of explosive mixture gas such as methane, coaldust and so on in medium surrounded, in distribution circuits with AC 50Hz, voltage up to 127V, it can express or remotely send warning message through sound and acoustooptic signal.

Model	XELB-36/127V	BAL-36/127V	XBH-36V	XBH-127V
Rated voltage(V)	36V、127V	36V、127V	36V	127V
Rated current(A)	0.9	0.35	0.9	0.35
Acoustics radius(m)	150	150	150	150
Visual distance(m)	—	—	30	30
Remarks	XELB FormettypeXELB		KZL、BAL2G FormettypeKZL、BAL2G	
Outline measure	300 x 185 x 195		490 x 150 x 130	

Mini alarm light model indication method



	Power		Main light source type		Function code
D	Magnet mounting	1	Rotator	T	Steady burn mode
E	Flat mounting	2	Bulb flash	W	Flash mode
G	Bracket mounting	3	Xenon strobe	J	With siren sound
F	Support mounting	5	LED Led strobe		
B	Handle fixing	8	Multi-styles light source		
A	Tower light	9	Photosensitive		
S	With metal shield				
T	Multifunction Installation				



◆ There are over 70 assortments in changcheng mini warning light series, in accordance with national standard. Complete assortments, divided into halogen beacons, strobe beacons and LED beacons, according to the configuration of light sources, and into screw fixing style, magnetic fixing style and sticking fixing style according to mounting way.



◆ Rotator warning light: high quality halogen bulb is used, adopting wear-resisting rubber wheel driven by direct current microelectric motor, long life, no dead point.

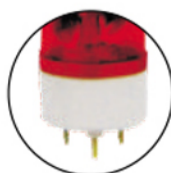


◆ Xenon strobe light: Adopting imported high quality impulse xenon tubes with service time higher than 50,000,000 flashing times, No mechanic abrasion, No noise, high luminous efficiency, antibacklight ability, high penetrating-fog ability.

◆ LED Warning Light: Adopting imported high bright led tube, which is the popular cold light source in warning light. Made the design of protecting environment, No hot, service time for more than 100,000 hours, and save energy. Best steady Working status.

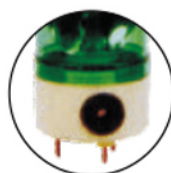
Model explain

LTE-□



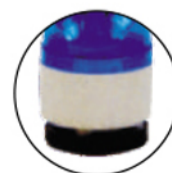
Screw fixing

LTE-□J



Screw fixing with buzzer

LTD-□



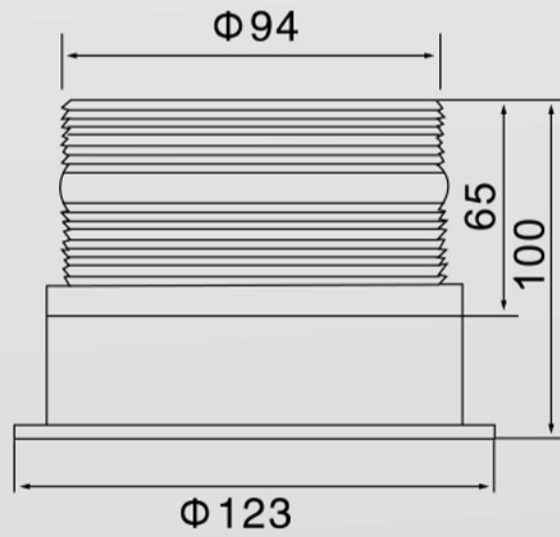
Magnetic fixing

LTD-□J



Magnetic fixing with buzzer

SU1230



Parameter

Item No	Power		Size	Function	LED number	Solar Panel
SU1230Y	Flat mounting	Magnet mounting	12.3 × 10cm	Flash	6Yellow	5V 70mA
SU1230R	Flat mounting	Magnet mounting	12.3 × 10cm	Flash	6Red	5V 70mA
SU1230RB	Flat mounting	Magnet mounting	12.3 × 10cm	Red and Blue Flash in turn	3Red+3Blue	5V 70mA

1081 BULB/REVOLVING

∅ 80



1082 BULB/REVOLVING

∅ 80



1083 BULB/REVOLVING

∅ 80

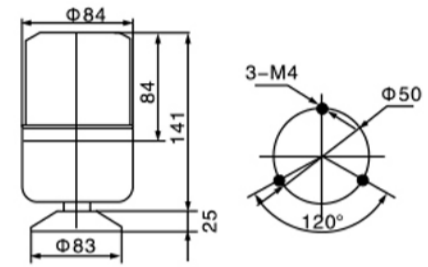
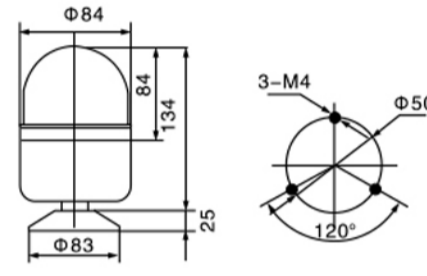
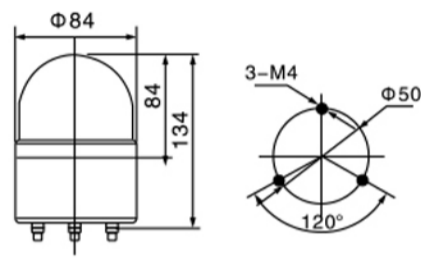
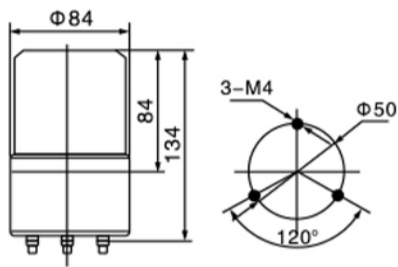


1084 BULB/REVOLVING

∅ 80



OUTER SIZE



1081、1082、1083、1084

Model	Voltage	Lightpower	Color
LTE	DC12V	5W	■ R
LTE...-J	DC24V		■ A
LTD	AC110V		■ G
LTD...-J	AC220V		■ B

- ◆ 90-130RPM
- ◆ 85dB
- ◆ AS, -ABS, PC
- ◆ IP45

1101 BULB/REVOLVING

∅ 100



1102 BULB/REVOLVING

∅ 100



1103 BULB/REVOLVING

∅ 100

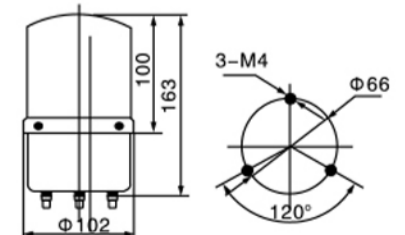
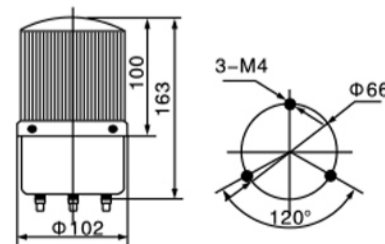
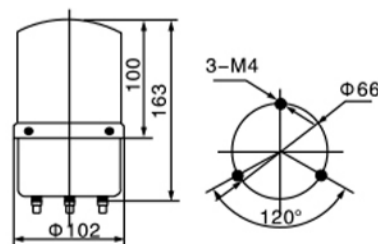
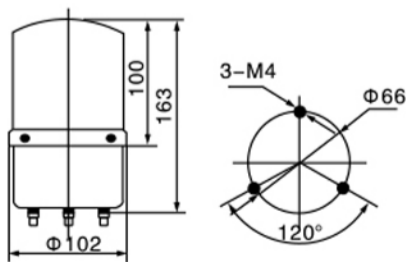


1104 BULB/REVOLVING

∅ 100



OUTER SIZE



1101、1102、1103、1104

Model	Voltage	Lightpower	Color
LTE	DC12V	10W	■ -R
LTE...-J	DC24V		■ -A
LTD	AC110V		■ -G
LTD...-J	AC220V		■ -B

- ◆ 90-130RPM
- ◆ 85dB
- ◆ AS, ABS -PC
- ◆ IP45

5101 LED LED/STROBE



5102 LED LED/STROBE



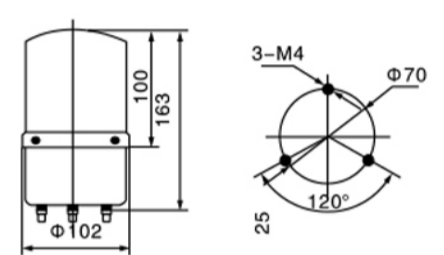
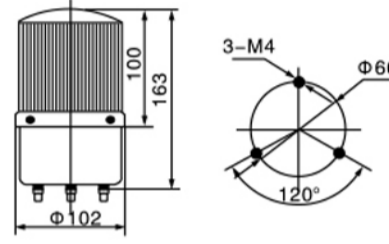
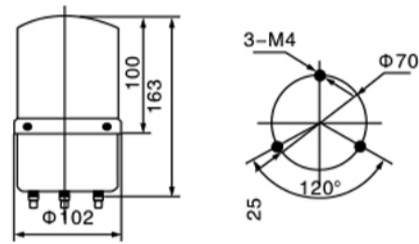
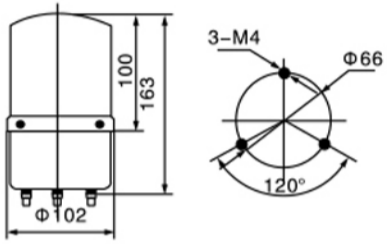
5103 LED LED/STROBE



5104 LED LED/STROBE



OUTER SIZE



1101, 1102, 1103, 1104

Model	Voltage	Lightpower	Color
LTE	DC12V	5W	■ -R
LTE...-J	DC24V		■ -A
LTD	AC110V		■ -G
LTD...-J	AC220V		■ -B

- ◆ 85dB
- ◆ -AS, ABS
- ◆ IP45

1121 BULB/REVOLVING



1161 BULB/REVOLVING



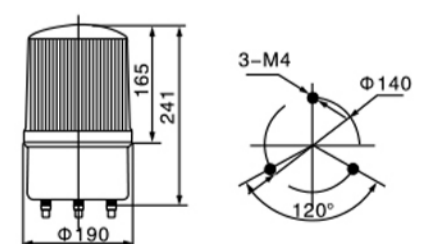
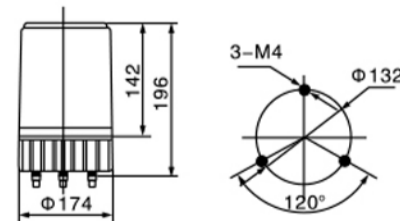
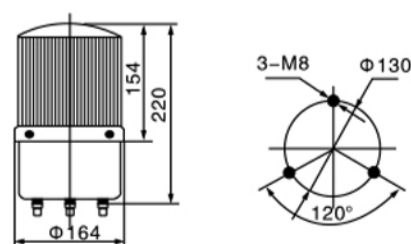
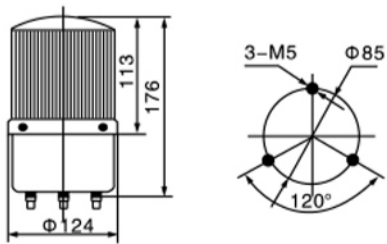
1181 BULB/REVOLVING



1191 BULB/REVOLVING



OUTER SIZE



1121, 1161, 1181, 1191

Model	Voltage	Lightpower	Color
LTE	DC12V	35W	■ -R
LTE...-J	DC24V		■ -A
LTD	AC110V		■ -G
LTD...-J	AC220V		■ -B

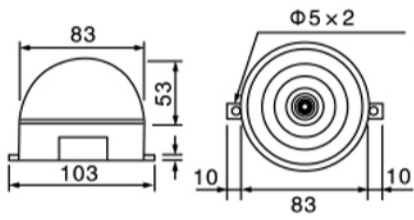
- ◆ 90-130RPM
- ◆ AS, ABS, PC
- ◆ IP45

5072

XENON STROBE

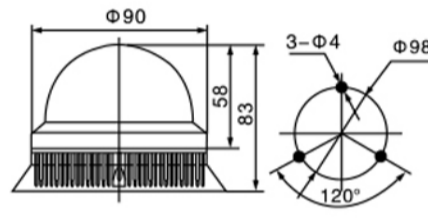


OUTER SIZE



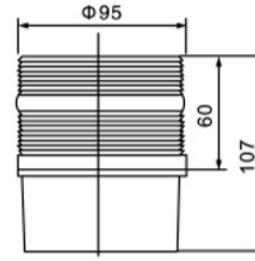
5073

XENON STROBE



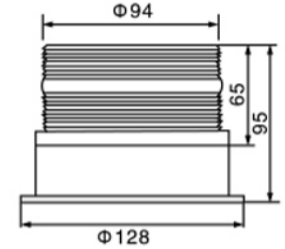
5092

XENON STROBE



5095

XENON STROBE



3072、5072、3073、5073、3092、5092、3095、5095

Model	Voltage	Lightpower	Color
LTE	DC12V DC24V AC220V	2W	<div style="display: flex; flex-direction: column; gap: 5px;"> <div style="display: flex; align-items: center;">-R</div> <div style="display: flex; align-items: center;">-A</div> <div style="display: flex; align-items: center;">-G</div> <div style="display: flex; align-items: center;">-B</div> <div style="display: flex; align-items: center;">-W</div> </div>

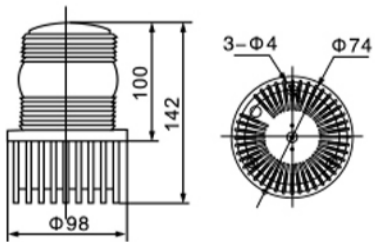
◆ ◆ ◆ AS, 85dB, PC
IP45 ABS,

5091

XENON STROBE

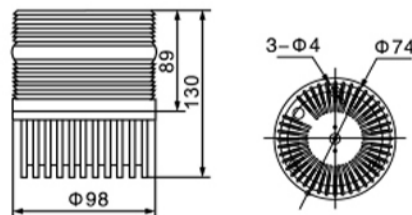


OUTER SIZE



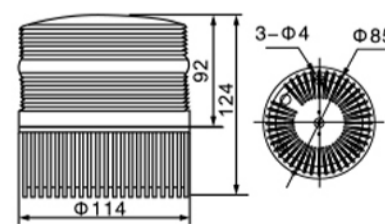
5100

XENON STROBE



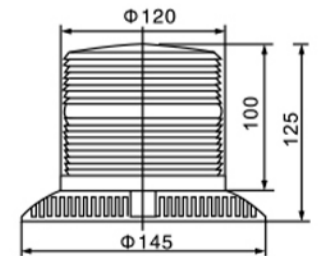
3111

XENON STROBE



3152

XENON STROBE



3072、5072、3073、5073、3092、5092、3095、5095

Model	Voltage	Lightpower	Color
LTE	DC12V DC24V AC110V AC220V	35W	<div style="display: flex; flex-direction: column; gap: 5px;"> <div style="display: flex; align-items: center;">-R</div> <div style="display: flex; align-items: center;">-A</div> <div style="display: flex; align-items: center;">-G</div> <div style="display: flex; align-items: center;">-B</div> </div>
LTD			

◆ ◆ ◆ PC, ABS
IP54

LTA - 2 05 WJ 3 - 220

AC220V

1-1 2-2 3-3 4-4 5-5

T TJ

W WJ

2 5-LED.

LTA LTD

TJ

WJ

