

## CT211 SERIES MOULDED CASE CURRENT TRANSFORMERS

### DESCRIPTION

A range of moulded case current transformers suitable for primary currents from 400 to 5000A with built in sealable terminal covers.

### APPLICATION

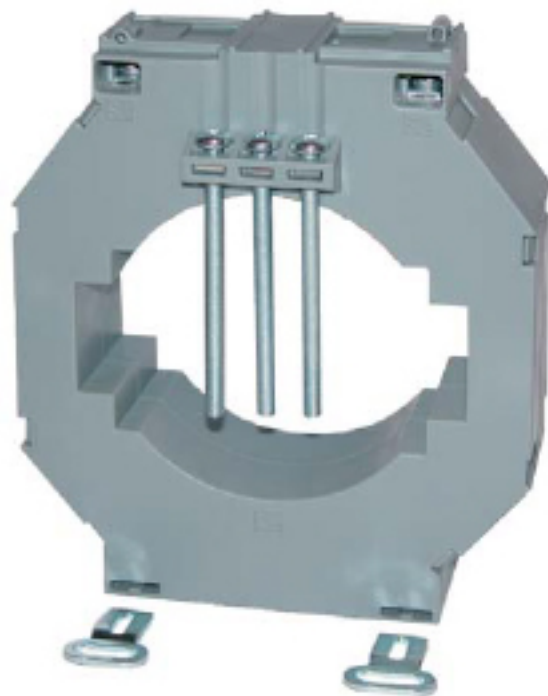
For transforming various primary currents into 5A or 1A standard secondary using 80x50mm or 100x30 mm busbars or cables up to 85mm diameter.

### FEATURES

- Built in sealable terminal covers.
- Mounting feet supplied.
- Narrow width - 100mm.
- Wide range of primary currents

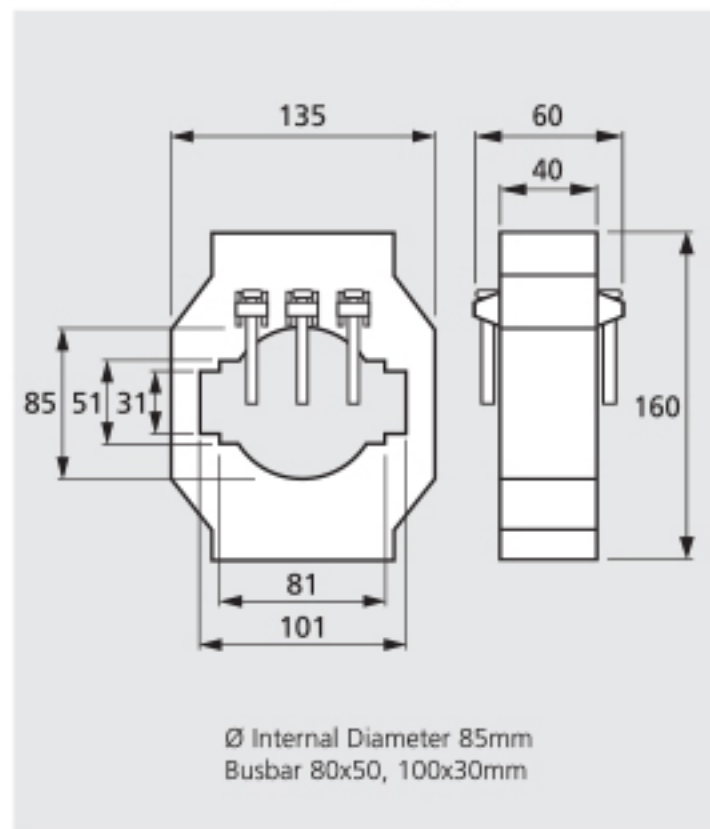
### TECHNICAL SPECIFICATION

- Conforms to IEC185, BS 7626, BSEN 60044-1, IEC 60044-1 and IEC 61869-2.
- Rated system voltage 0.72/3kV.
- Ambient temperature range -5°C to +50°C.
- Self extinguishing to UL94HB.



CT211

### DIMENSIONS (mm)



RANGE	5A Secondary								
	Class 3.0			Class 1.0			Class 0.5		
VA	5	10	15	5	10	15	5	10	15
400A	A1	A2	-	A4	A5	-	-	-	-
500A	B1	B2	-	B4	B5	-	B7	-	-
600A	C1	C2	C3	C4	C5	-	C7	-	-
800A	D1	D2	D3	D4	D5	D6	D7	D8	-
1000A	E1	E2	E3	E4	E5	E6	E7	E8	E9
1200A	F1	F2	F3	F4	F5	F6	F7	F8	F9
1500A	G1	G2	G3	G4	G5	G6	G7	G8	G9
1600A	H1	H2	H3	H4	H5	H6	H7	H8	H9
2000A	-	-	J3	-	-	J6	-	-	J9
2500A	-	-	K3	-	-	K6	-	-	K9
3000A	-	-	L3	-	-	L6	-	-	L9
4000A	-	-	M3	-	-	M6	-	-	M9
5000A	-	-	N3	-	-	N6	-	-	N9

1A secondary available by request.  
Class 0.2S also available by request.

**Order Example:** A moulded case current transformer type 211, with 5A secondary and 2500A primary 15VA class 1 is part number 211-5-K6

## CT132 SERIES MOULDED CASE CURRENT TRANSFORMERS

### DESCRIPTION

A range of compact low cost moulded case current transformers suitable for primary currents from 40A to 300A with built in sealable terminal covers.

### APPLICATION

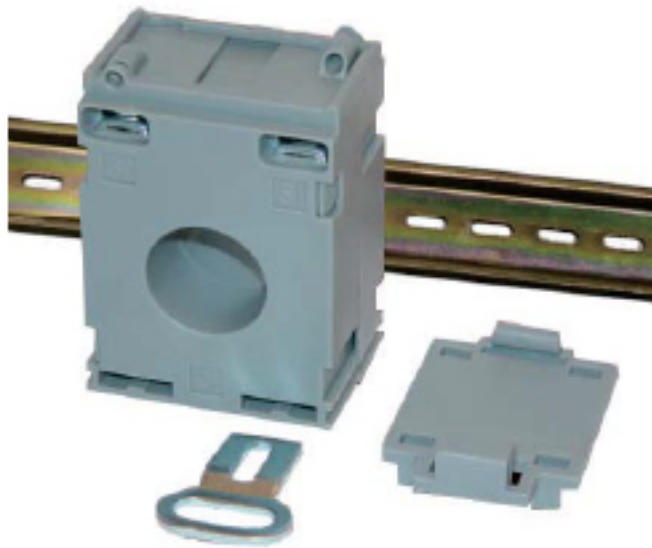
For transforming various primary currents into 5A or 1A standard secondary using cables up to 21mm diameter.

### FEATURES

- DIN rail mounting clip supplied.
- Built in sealable terminal covers.
- Mounting feet supplied.
- Narrow width - 45mm.

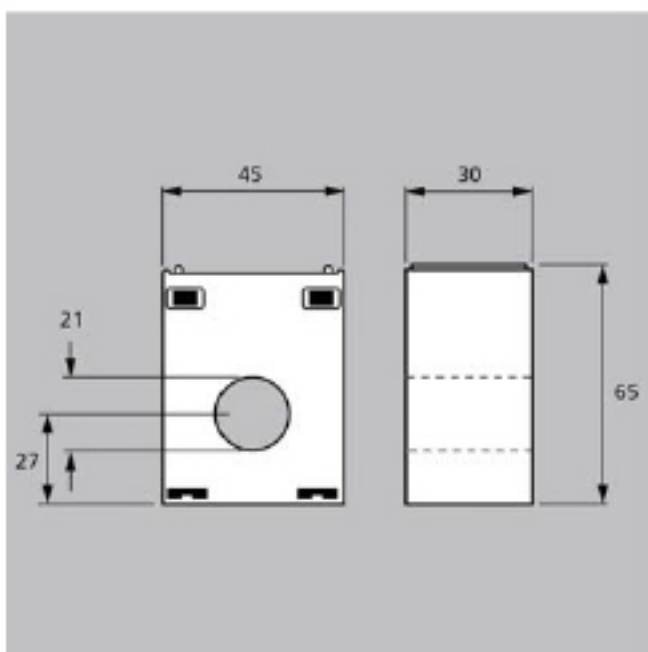
### TECHNICAL SPECIFICATION

- Conforms to IEC185, BS 7626, BSEN 60044-1 and IEC 60044-1.
- Rated system voltage 0.72/3kV.
- Ambient temperature range -30°C to 85°C.
- Continuous current 1.2 x rated current.



CT132

### DIMENSIONS (mm)



RANGE	5 A Secondary											
	Class 3.0				Class 1.0				Class 0.5			
VA	1	1.5	2.5	5	1	1.5	2.5	5	1	1.5	2.5	5
40A	A1	-	-	-	-	-	-	-	-	-	-	-
50A	B1	B2	-	-	B5	-	-	-	-	-	-	-
60A	C1	C2	-	-	C5	C6	-	-	-	-	-	-
75A	D1	D2	D3	-	D5	D6	-	-	-	-	-	-
80A	E1	E2	E3	-	E5	E6	-	-	-	-	-	-
100A	F1	F2	F3	-	F5	F6	F7	-	F9	F10	-	-
120A	G1	G2	G3	-	G5	G6	G7	-	G9	G10	G11	-
150A	H1	H2	H3	H4	H5	H6	H7	-	H9	H10	H11	-
200A	J1	J2	J3	J4	J5	J6	J7	J8	J9	J10	J11	-
250A	K1	K2	K3	K4	K5	K6	K7	K8	K9	K10	K11	K12
300A	L1	L2	L3	L4	L5	L6	L7	L8	L9	L10	L11	L12

1A secondary available by request.

**Order Example:** A moulded case current transformer type 13, with 5A secondary and 200A primary 2.5VA class 1 is part number 13-5-J7

## CT143 SERIES MOULDED CASE CURRENT TRANSFORMERS



CT143-30

### DESCRIPTION

A range of compact moulded case current transformers suitable for primary currents from 25A to 500A with built in sealable terminal covers.

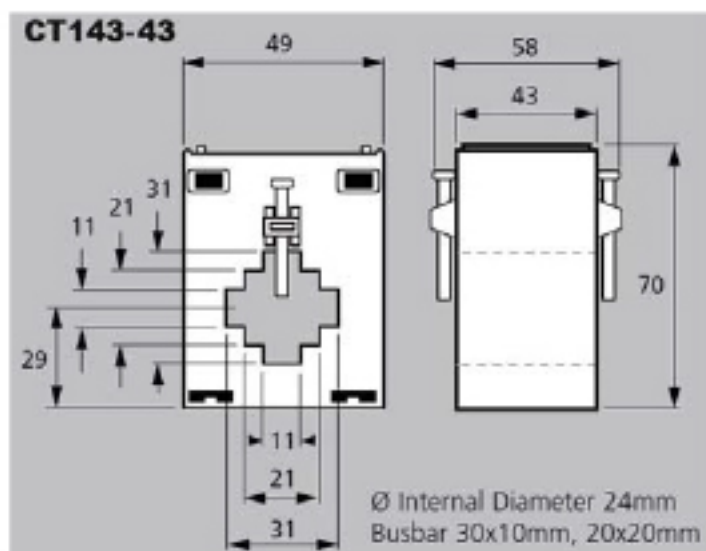
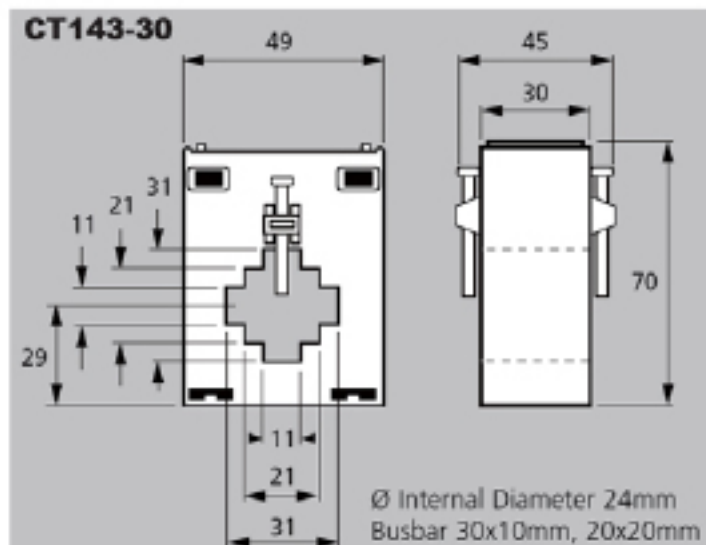
### APPLICATION

For transforming various primary currents into 5A or 1A standard secondary using 30x10mm or 20x20mm busbars or cables up to 24mm diameter

### FEATURES

- DIN rail mounting clip supplied.
- Built in sealable terminal covers.
- Mounting feet and busbar screws supplied.
- Narrow width - 50mm.

### DIMENSIONS (mm)



### TECHNICAL SPECIFICATION

Conforms to IEC185, BS 7626, BSEN 60044-1 and IEC 60044-1.

Rated system voltage 0.72/3kV.

Ambient temperature range -30°C to 85°C.

Continuous current 1.2 x rated current.

RANG E	5A Secondary										
	Class 3.0				Class 1.0				Class 0.5		
VA	1.5	2.5	5	10	1.5	2.5	5	10	1.5	2.5	5
60A	A1	A2	-	-	A5	-	-	-	-	-	-
75A	B1	B2	-	-	B5	-	-	-	-	-	-
80A	C1	C2	-	-	C5	-	-	-	-	-	-
100A	D1	D2	-	-	D5	D6	-	-	D9	-	-
125A	E1	E2	-	-	E5	E6	-	-	E9	-	-
150A	F1	F2	-	-	F5	F6	-	-	F9	-	-
200A	G1	G2	G3	-	G5	G6	G7	-	G9	G10	-
250A	H1	H2	H3	-	H5	H6	H7	-	H9	H10	-
300A	J1	J2	J3	J4	J5	J6	J7	J8	J9	J10	J11
400A	K1	K2	K3	K4	K5	K6	K7	K8	K9	K10	K11
500A	L1	L2	L3	L4	L5	L6	L7	L8	L9	L10	L11

1A secondary available by request.

**Order Example:** A moulded case current transformer type 143, with 5A secondary and 400A primary 5VA class 1 is part number 143-5-K7

## CT164 SERIES MOULDED CASE CURRENT TRANSFORMERS



### DESCRIPTION

A range of compact moulded case current transformers suitable for primary currents from 25A to 500A with built in sealable terminal covers.

### APPLICATION

For transforming various primary currents into 5A or 1A standard secondary using 30x10mm or 20x20mm busbars or cables up to 24mm diameter

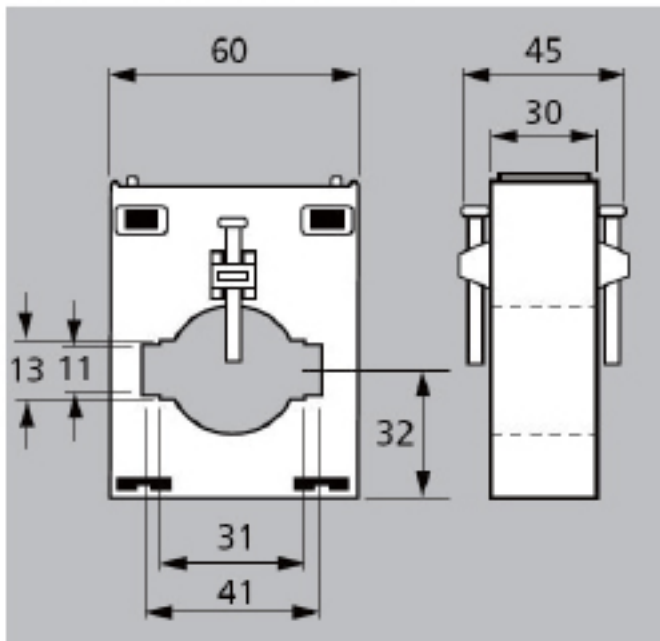
### FEATURES

- DIN rail mounting clip supplied.
- Built in sealable terminal covers.
- Mounting feet and busbar screws supplied.
- Narrow width - 50mm.

### TECHNICAL SPECIFICATION

- Conforms to IEC185, BS 7626, BSEN 60044-1 and IEC 60044-1.
- Rated system voltage 0.72/3kV.
- Ambient temperature range -30°C to 85°C.
- Continuous current 1.2 x rated current.

### DIMENSIONS (mm)



RANGE	5A Secondary								
	Class 3.0			Class 1.0			Class 0.5		
VA	2.5	5	10	2.5	5	10	2.5	5	10
100A	A1	-	-	A4	-	-	-	-	-
150A	B1	-	-	B4	-	-	-	-	-
200A	C1	-	-	C4	-	-	C7	-	-
250A	D1	D2	-	D4	-	-	D7	-	-
300A	E1	E2	-	E4	-	-	E7	-	-
400A	F1	F2	-	F4	F5	-	F7	-	-
500A	G1	G2	G3	G4	G5	-	G7	G8	-
600A	H1	H2	H3	H4	H5	-	H7	H8	-
800A	J1	J2	J3	J4	J5	J6	J7	J8	-

1A secondary available by request.

**Order Example:** A moulded case current transformer type 164, with 5A secondary and 400A primary 5VA class 1 is part number 164-5-F5

## CT186 SERIES MOULDED CASE CURRENT TRANSFORMERS



CT186

### FEATURES

- Built in sealable terminal covers.
- Mounting feet supplied.
- Narrow width - 85mm.
- Wide range of primary current

### DESCRIPTION

case current transformers suitable for primary currents from 400A to 1600A with built in sealable terminal covers.

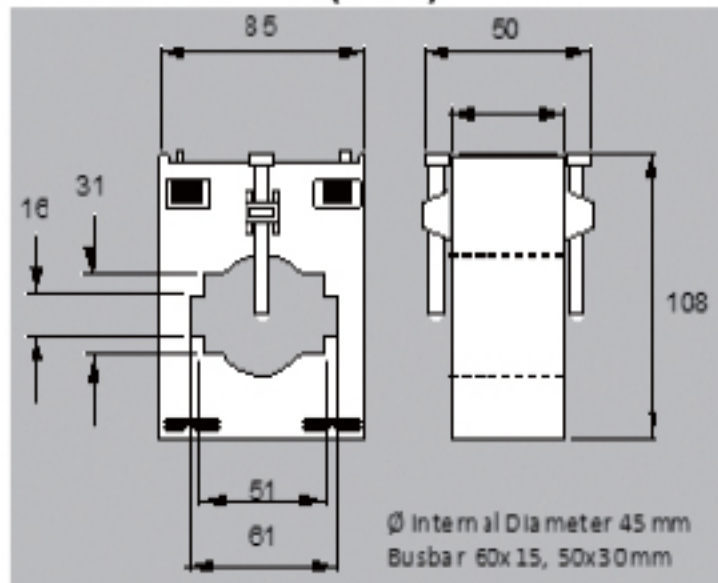
### APPLICATION

For transforming various primary currents into 5A or 1A standard secondary using up to 60x15mm or 50x30mm busbars or cables up to 45mm diameter.

### TECHNICAL SPECIFICATION

- Conforms to IEC185, BS 7626, BSEN 60044-1 and IEC 60044-1.
- Rated system voltage 0.72/3kV.
- Ambient temperature range -30°C to 85°C.
- Continuous current 1.2 x rated current.

### DIMENSIONS (mm)



RANGE	5A Secondary											
	Class 3.0				Class 1.0				Class 0.5			
VA	2.5	5	10	15	2.5	5	10	15	2.5	5	10	15
400A	A1	A2	A3	-	A5	A6	A7	-	A9	A10	-	-
500A	B1	B2	B3	-	B5	B6	B7	-	B9	B10	-	-
600A	C1	C2	C3	-	C5	C6	C7	-	C9	C10	C11	-
750A	D1	D2	D3	-	D5	D6	D7	-	D9	D10	D11	-
800A	E1	E2	E3	-	E5	E6	E7	-	E9	E10	E11	-
1000A	F1	F2	F3	F4	F5	F6	F7	F8	F9	F10	F11	-
1200A	G1	G2	G3	G4	G5	G6	G7	G8	G9	G10	G11	G12
1250A	H1	H2	H3	H4	H5	H6	H7	H8	H9	H10	H11	H12
1500A	J1	J2	J3	J4	J5	J6	J7	J8	J9	J10	J11	J12
1600A	K1	K2	K3	K4	K5	K6	K7	K8	K9	K10	K11	K12

1A secondary available by request.  
Class 0.2S also available by request.

**Order Example:** A 186 series moulded case current transformer, with 5A secondary and 1000A primary 5VA class 1 is part number 18-5-F6

## CT208 SERIES MOULDED CASE CURRENT TRANSFORMERS

### DESCRIPTION

A range of compact low cost moulded case current transformers suitable for primary currents from 400A to 2000A with built in sealable terminal covers.

### APPLICATION

For transforming various primary currents into 5A or 1A standard secondary using 60x30mm or 80x10mm busbars or cables up to 60mm diameter

### FEATURES

- Built in sealable terminal covers.
- Mounting feet supplied.
- Narrow width - 100mm.
- Wide range of primary currents

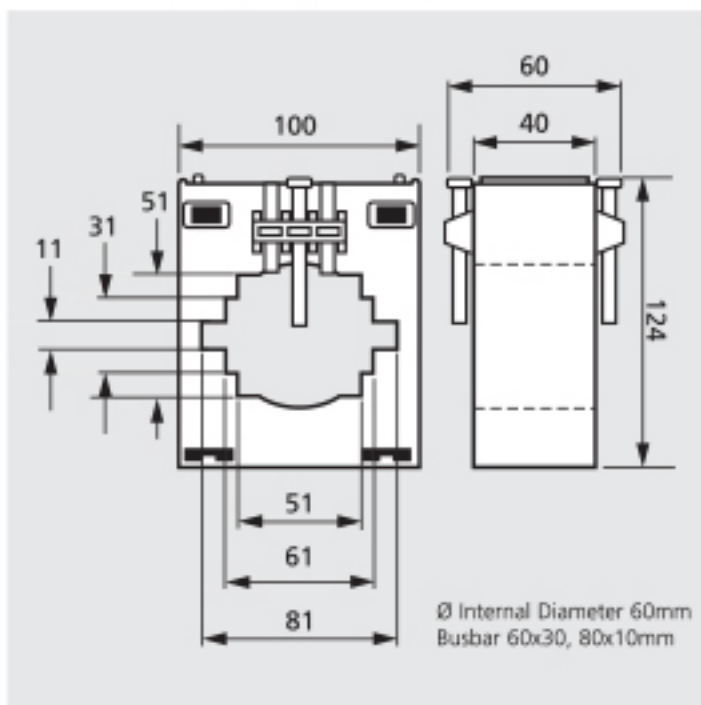
### TECHNICAL SPECIFICATION

- Conforms to IEC185, BS 7626, BSEN 60044-1, IEC 60044-1 and IEC 61869-2.
  - Rated system voltage 0.72/3kV.
  - Ambient temperature range -5°C to +50°C.
  - Continuous current 1.2 x rated current.
- IEC 60044-1 and IEC 61869-2.



CT208

### DIMENSIONS (mm)



RANGE	5A Secondary											
	Class 3.0				Class 1.0				Class 0.5			
VA	2.5	5	10	15	2.5	5	10	15	2.5	5	10	15
400A	A1	A2	A3	-	A5	A6	A7	-	A9	A10	-	-
500A	B1	B2	B3	-	B5	B6	B7	-	B9	B10	-	-
600A	C1	C2	C3	C4	C5	C6	C7	-	C9	C10	-	-
800A	D1	D2	D3	D4	D5	D6	D7	D8	D9	D10	D11	-
1000A	E1	E2	E3	-	E5	E6	E7	E8	E9	E10	E11	-
1200A	F1	F2	F3	F4	F5	F6	F7	F8	F9	F10	F11	-
1250A	G1	G2	G3	G4	G5	G6	G7	G8	G9	G10	G11	-
1500A	H1	H2	H3	H4	H5	H6	H7	H8	H9	H10	H11	-
1600A	J1	J2	J3	J4	J5	J6	J7	J8	J9	J10	J11	-
2000A	K1	K2	K3	K4	K5	K6	K7	K8	K9	K10	K11	-

1A secondary available by request.  
Class 0.2S also available by request.

**Order Example:** A 208 series moulded case current transformer, with 5A secondary and 2000A primary 5VA class 1 is part number 208-5-K6